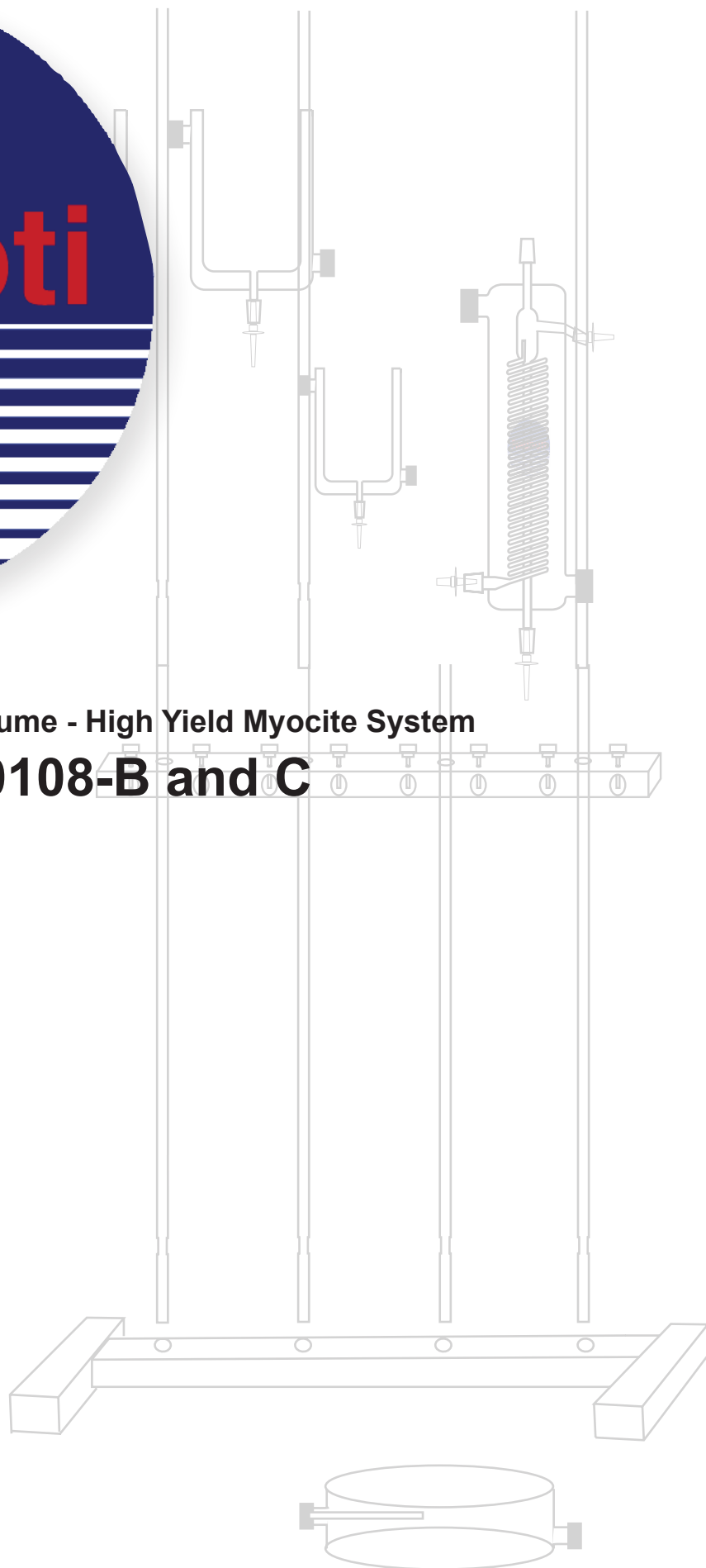




Radnoti Low Volume - High Yield Myocyte System

**120108-B and C**



## List of Components for 120108-B

Description	Qty	Part #
Base only, for 4-bar stand	1	159950-B4
Stabilizer Bar only, for 4-Bar stand	1	159950-C4
Rod 24" Long Stainless Steel	7	159950-24
Single Ring Clamp (100ml Reservoirs)	2	159953-100
Single Ring Clamp (50ml Reservoir)	1	159953-50
Single Ring Clamp (5.5ml Heating Coil)	1	159953-10
Universal Stand Clamp	4	159952
Cannula for Custom Preparatory Tissue Bath	1	C1256-022
100ml Tissue Organ Bath (Reservoir)	2	1583-101
50ml Tissue Organ Bath (Reservoir)	1	158351
10ml Heating Coil with internal Bubble Trap	1	158840
Custom Preparatory Tissue Bath with side cannula port	1	C1256
Water Jacketed Flex Tube Assembly (36")	1	130155-36
120108-B Perfusate Tubbing Kit	1	
120108-B Water Jacket Tubbing Kit	1	

Fig 1

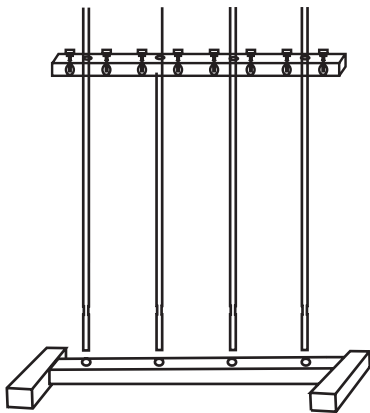


Fig 2

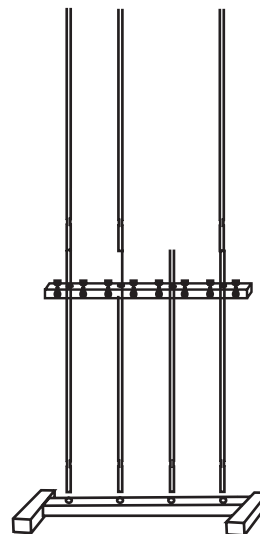


Fig 3

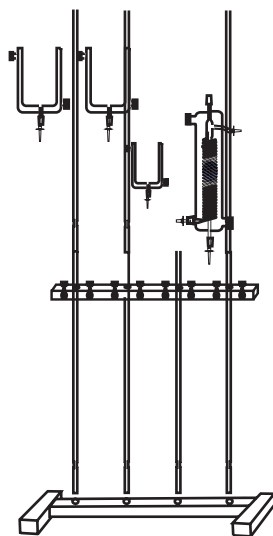
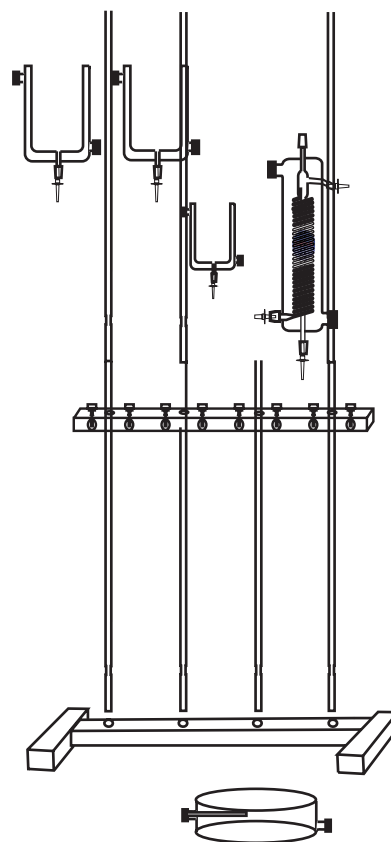
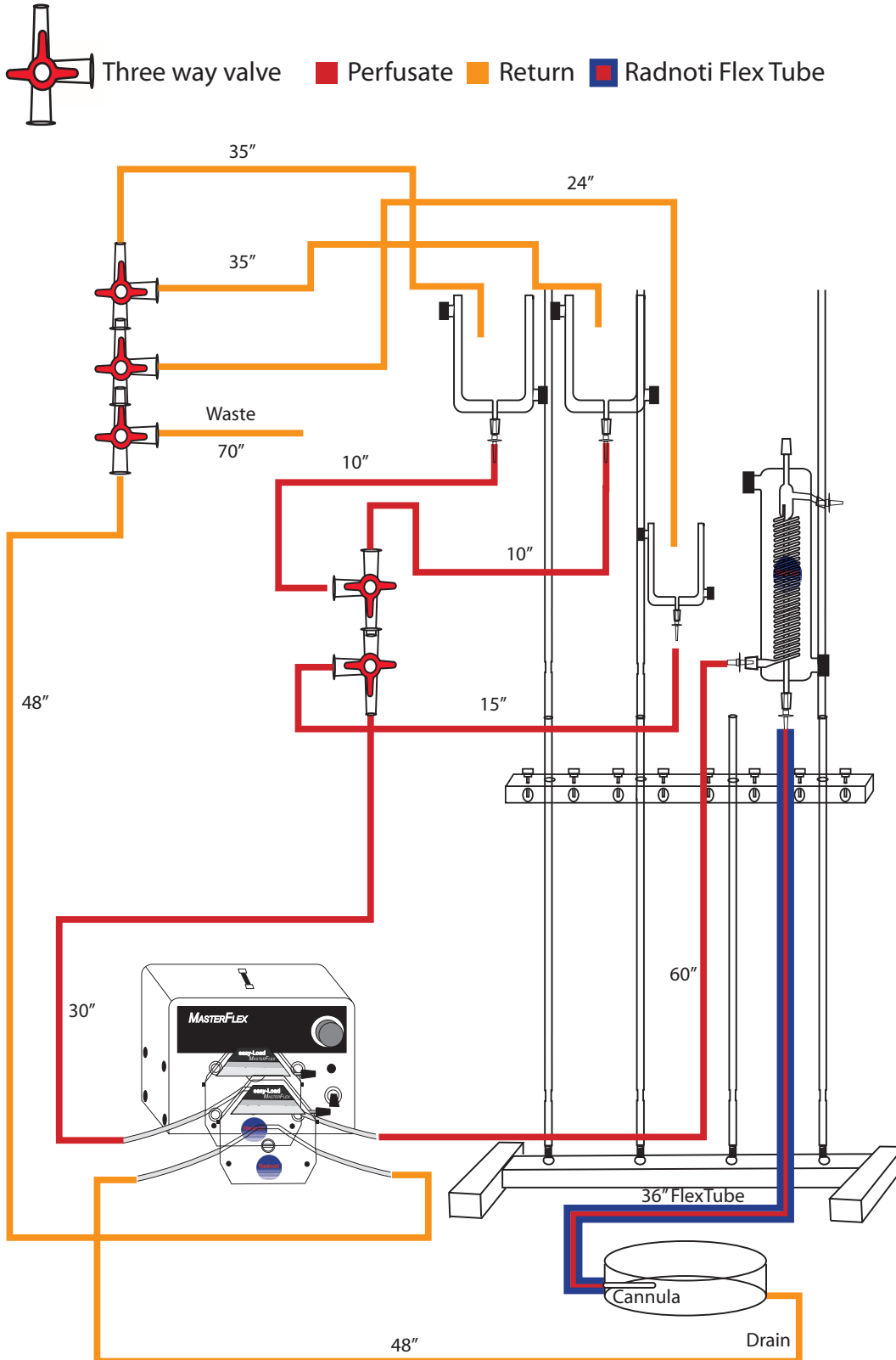


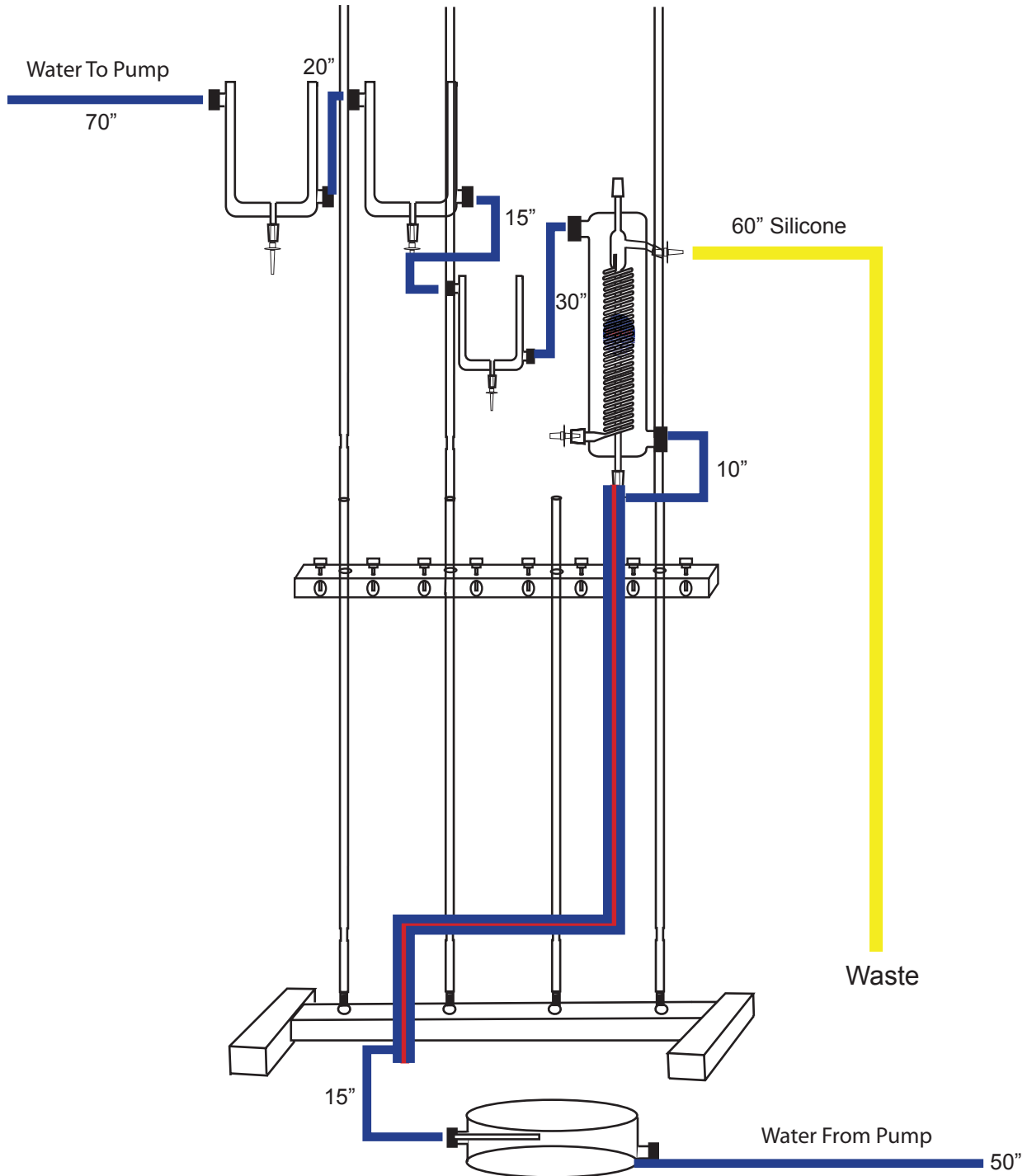
Fig 4



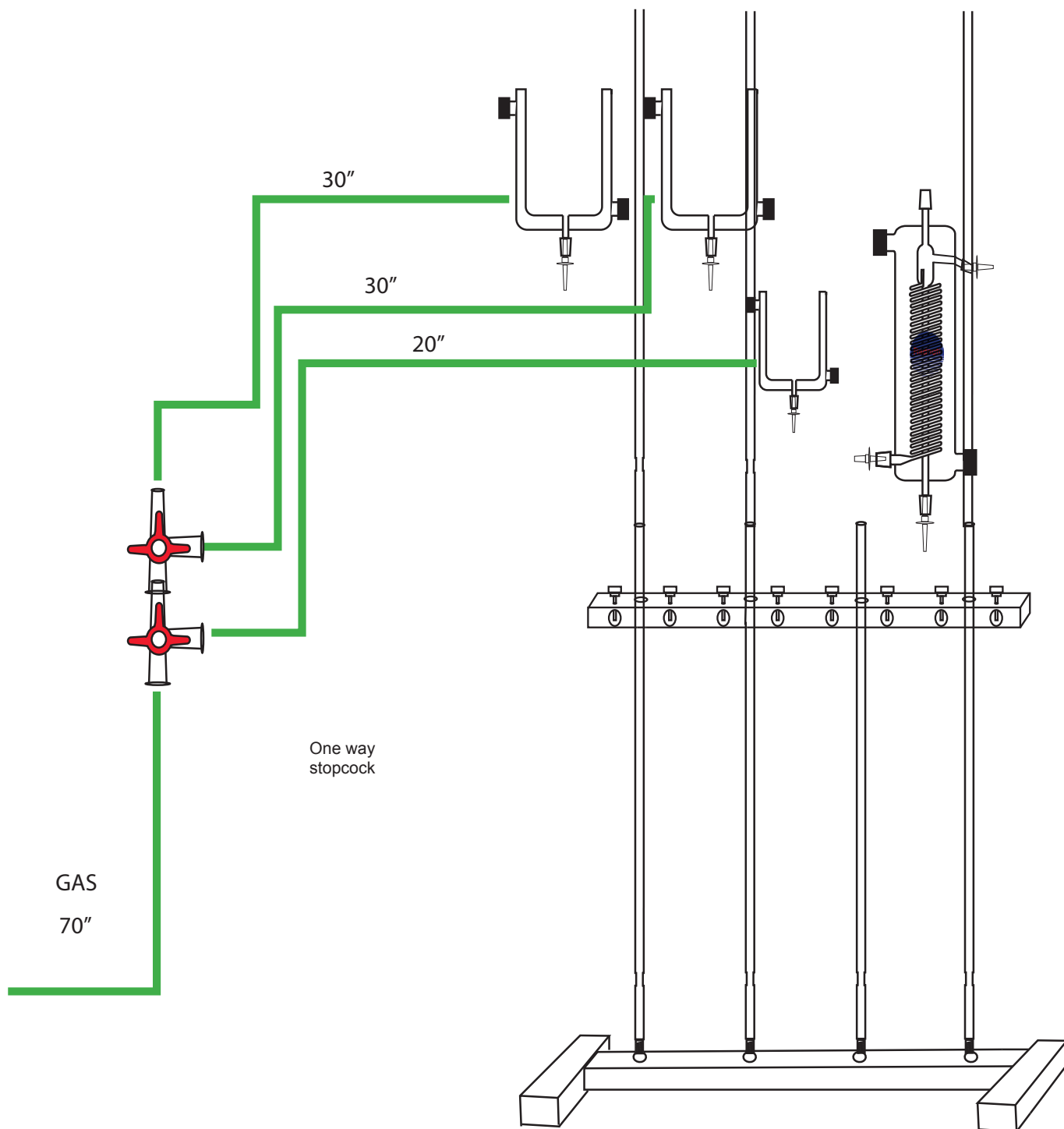
## Perfusion Connection For 120108-B



## Water-Jacketed Tubing Connection Chart 120108 B



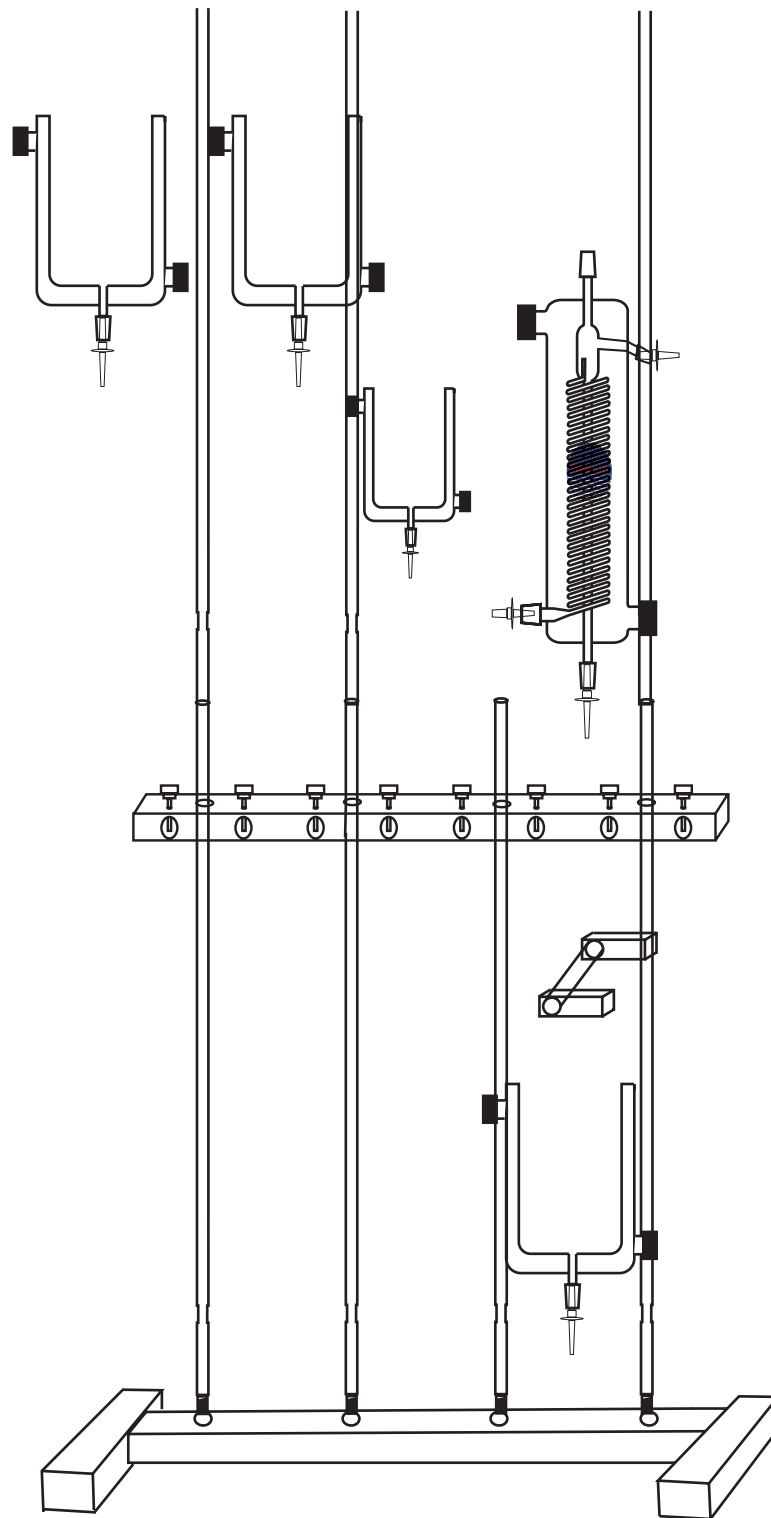
## Oxygen Connection For 120108-B



## List of Components for the 120108-C

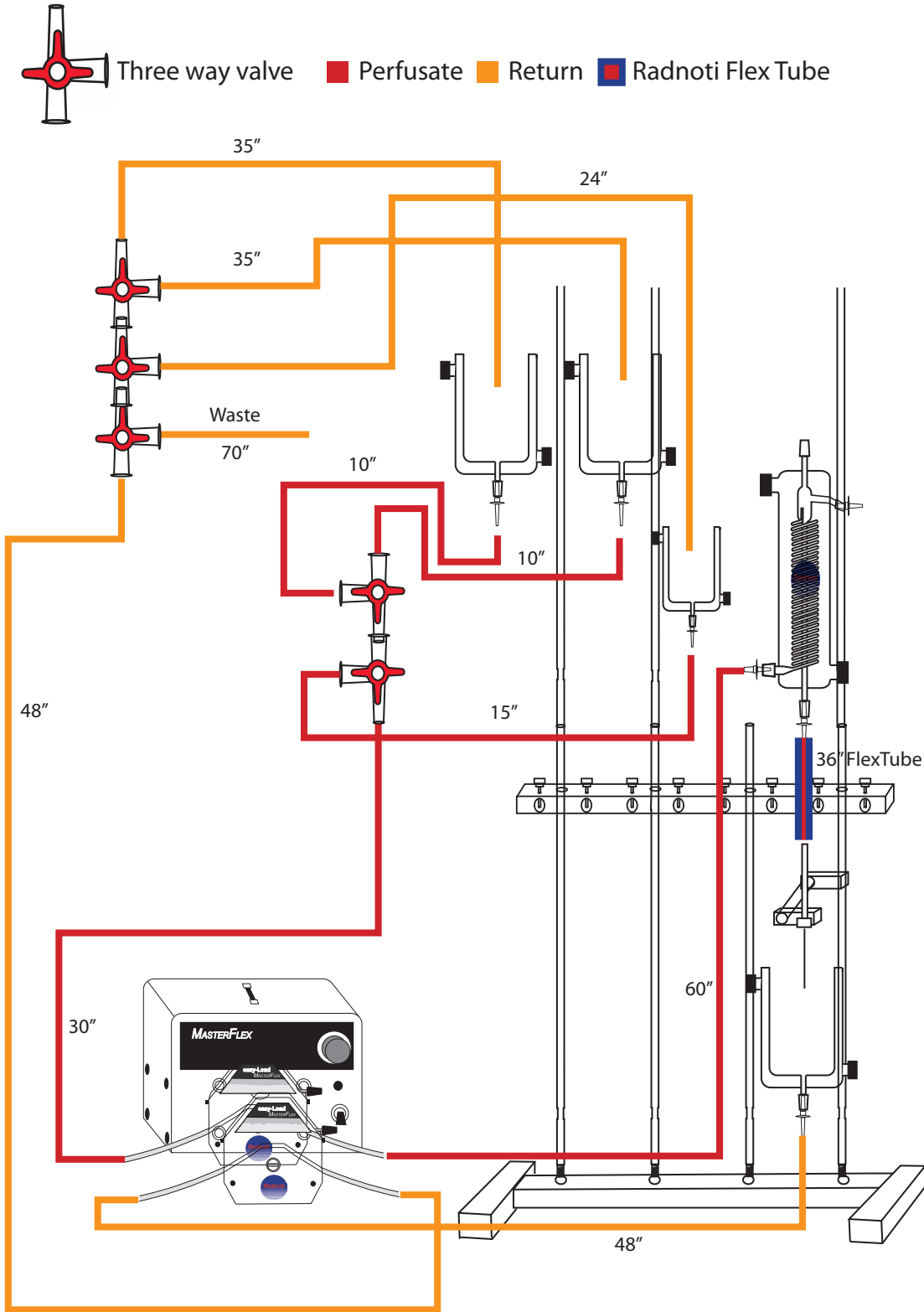
Description	Qty	Part #
Base only, for 4-bar stand	1	159950-B4
Stabilizer Bar only, for 4-Bar stand	1	159950-C4
Rod 24" Long Stainless Steel	7	159950-24
Single Ring Clamp (100ml TOB with TNV)	3	159953-100
Single Ring Clamp (50ml TOB with TNV)	1	159953-50
Single Ring Clamp (10ml Heating Coil)	1	159953-10
Universal Stand Clamp	5	159952
Universal Stand Clamp (Glass)	1	159952-G
Glass Cannula	1	120153-24LT
SS Cannula (22 Guage - 14 Guage)	1	130153-22 (14)
100ml Tissue Organ Bath	3	1583-101
50ml Tissue Organ Bath	1	158351
10ml Heating Coil with internal Bubble Trap	1	158840
Cannula assembly holder	1	130153-8EZ
SS Cannula Long Shaft with Hubs	1	130153-1
TNV Manifold with 4 port luer	1	120166
Water Jacketed Flex Tube Assembly (36")	1	130155-36
120108-C Tubbing Kit	1	120108-CKIT

## Stand Assembly of the 120108-C

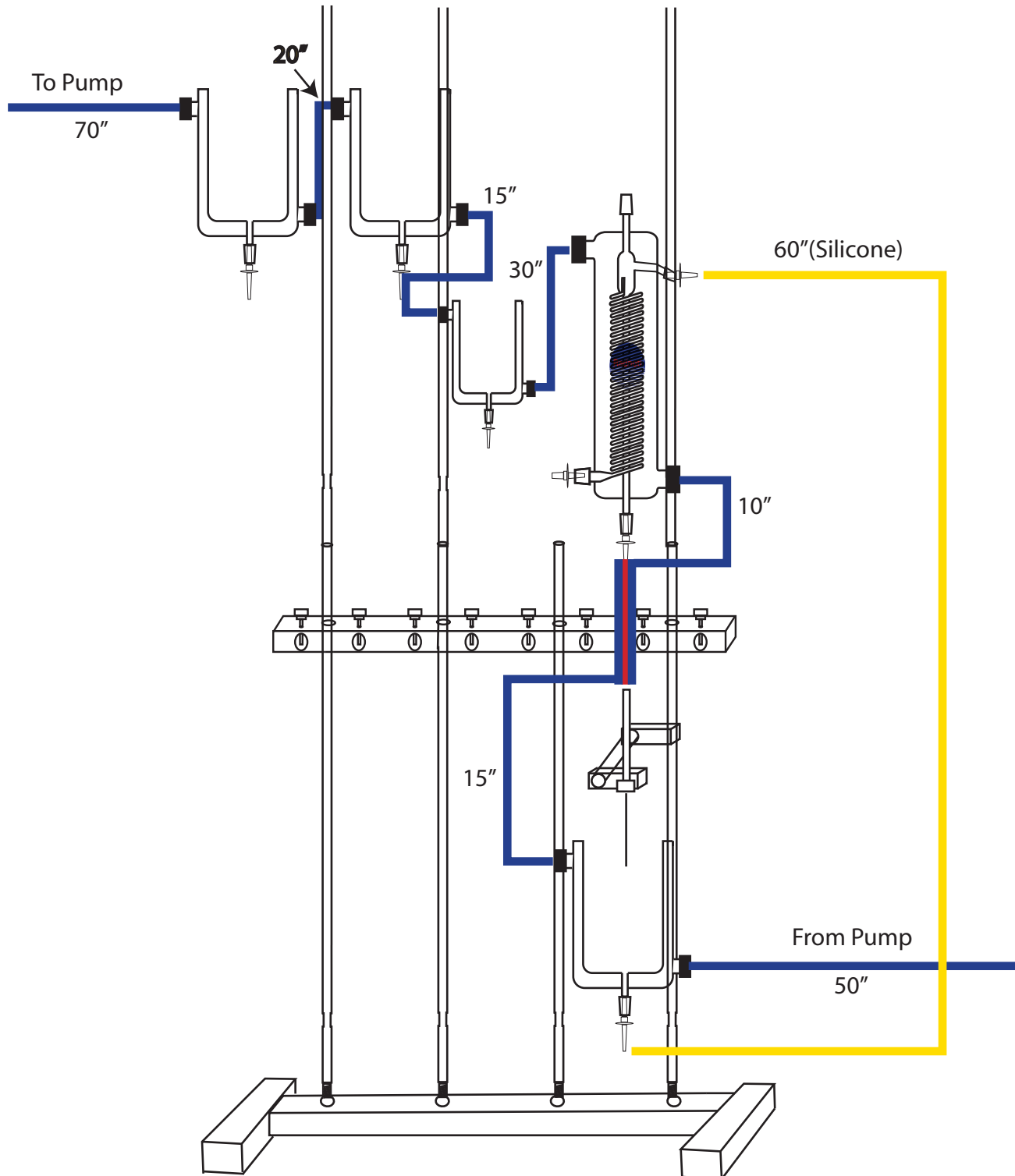




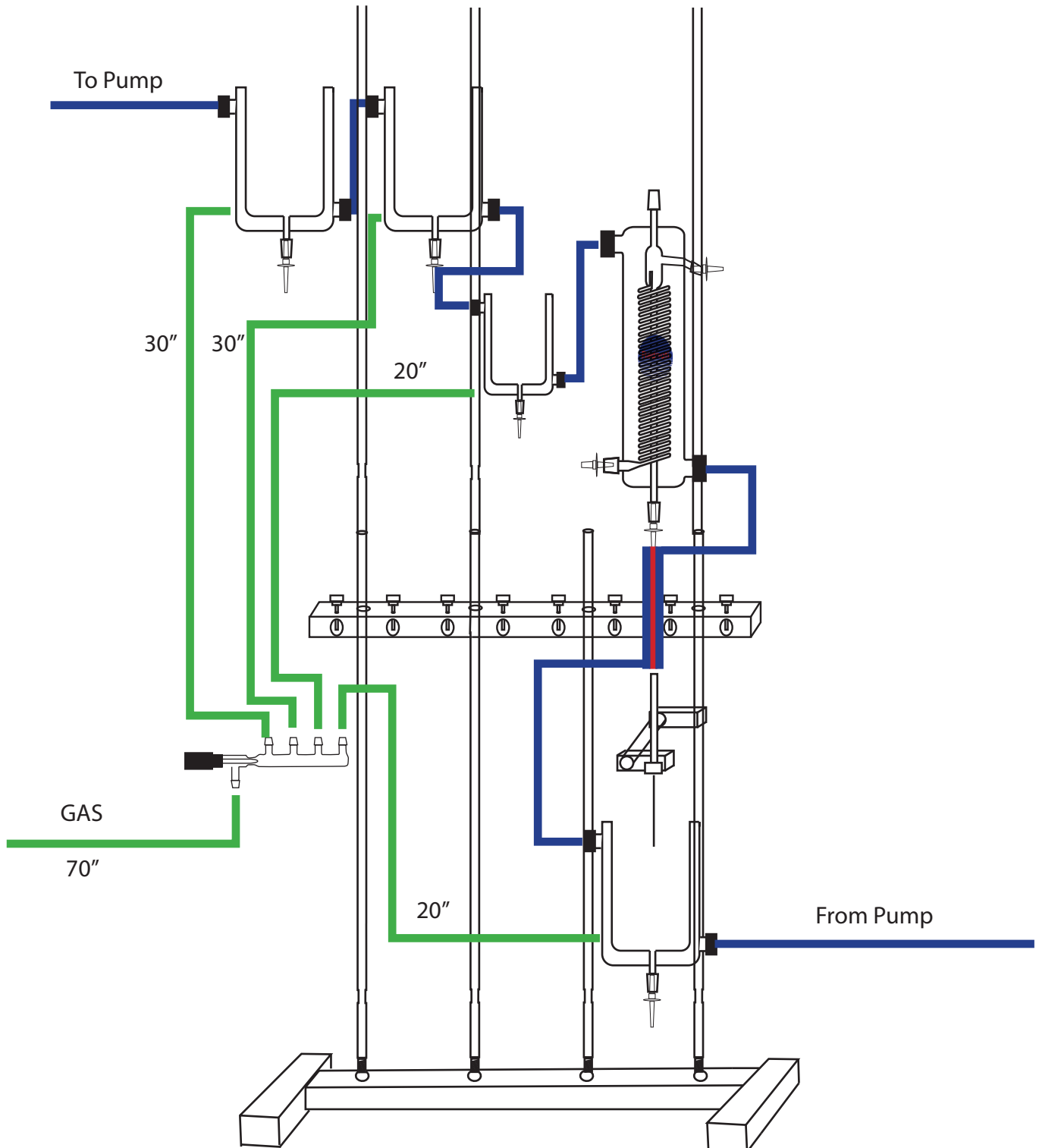
## Perfusion Connection For 120108-C



## Water Jacket Connection 120108-C



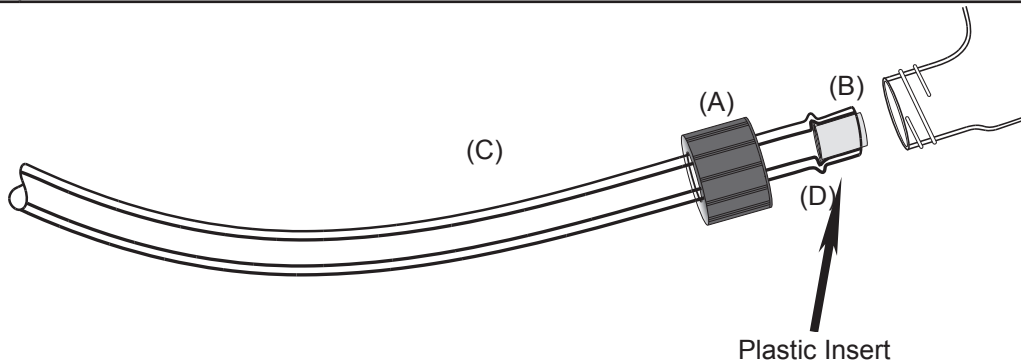
## Oxygen Connection For 120108-C



## RADNOTI 'QUICK DISCONNECT" INSTRUCTIONS

For Reference only

A	Slide Cap-With hole onto the water line. (Tygon tubing #120159)
B	Push the plastic sleeve insert into the end of the Tygon tubing with the flared end first. (Catalog #120160)
C	Be sure to use 5/16 x 3/16 inch Tygon tubing. (Catalog #120159)
D	<u>MOISTEN TIP OF TYGON TUBING</u> before insertion into the threaded glass.
	<b>CAUTION:</b> To avoid breakage, do not over tighten the screw cap.



Replacement Part List:

Catalog No.	Description
120160	Plastic sleeve insert, 25/Pkg
120159	Tygon tubing 5/16 x 3/16 ID, 50 ft/min
160196	Drilled cap for W/J.Q.D.