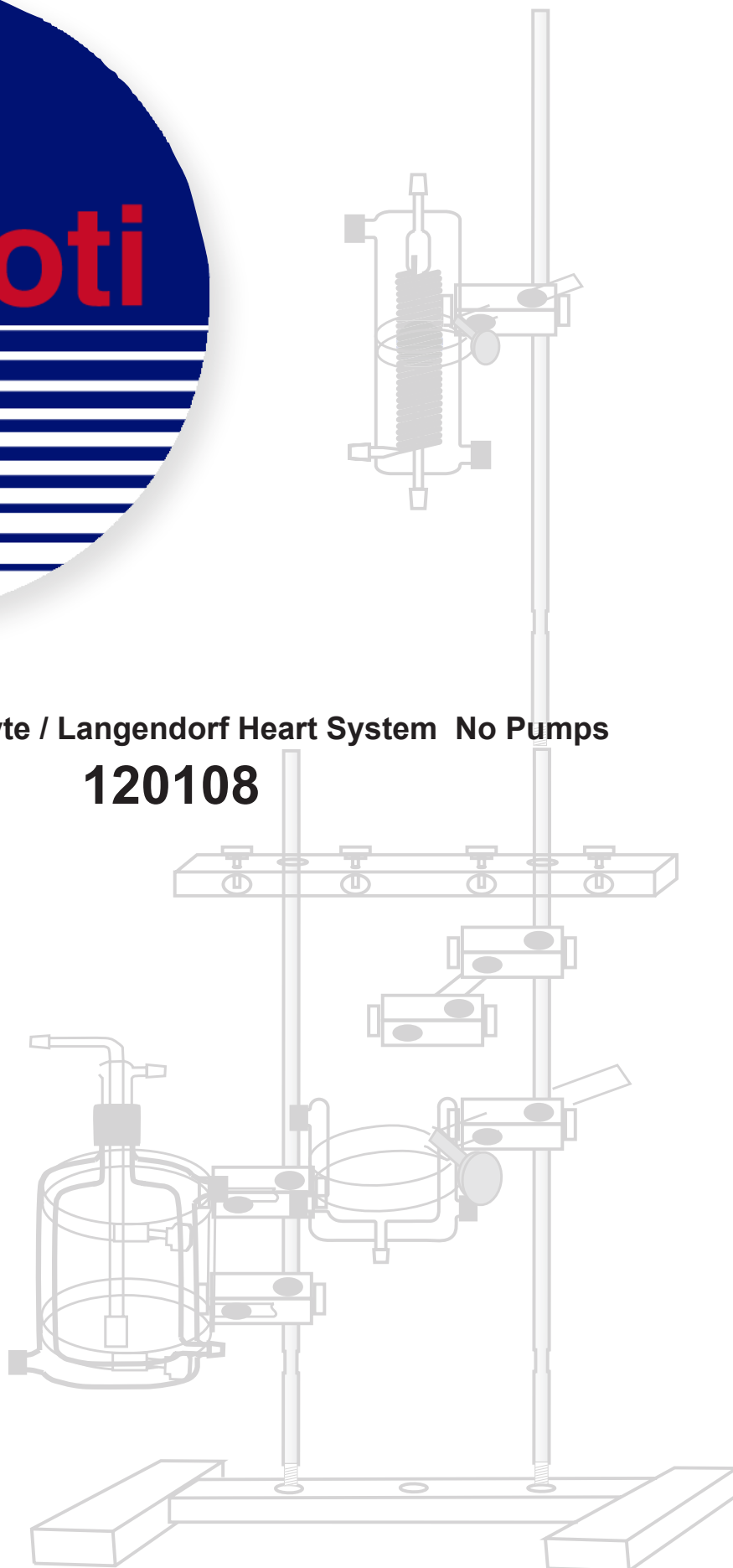




Radnoti EZ Myocyte / Langendorf Heart System No Pumps
120108



Description	Qty	Part #
Base only, for 2-bar stand	1	159950-B2
Stabilizer Bar only, for 2-Bar stand	1	159950-C2
Rod 24" Long Stainless Steel	3	159950-24
Double Ring Clamp for Reservoir	1	120141-2
Single Ring Clamp (Heating coil)	1	159953-10
Single Ring Clamp (Bath)	1	159953-100
Universal Stand Clamp	4	159952
Cannula Holder Assembly for 120108EZ	1	130153-8EZ
Aortic Cannula 2.4mm	1	120153-24LT
Aortic cannula Tips SS 14G	1	130153-14
Aortic cannula Tips SS 22G	1	130153-22
Stainless Steel Cannula Shaft, Long, W/ Luer Lock Hubs	1	1130153-1
Water-Jacketed Reservoir 2 Liter	1	120142-2
Oxygenating Bubbler for 2 Liter Reservoir	1	140143-2
100ml Tissue Organ Bath	1	1583-101
Heating Coil w/ Bubble Trap Compliance Chamber	1	158840
Q.D. Tygon Tubing (Water-Jacketed)		
30"	2	120159-30
40"	2	120159-40
Inner Tygon Tubing (Perfusate,gas)		
30"	2	120157-30
40"	1	120157-40
50"	1	120157-50
Silicone Tubing (Drain & Overflow)		
30"	1	
50"		

Fig 1

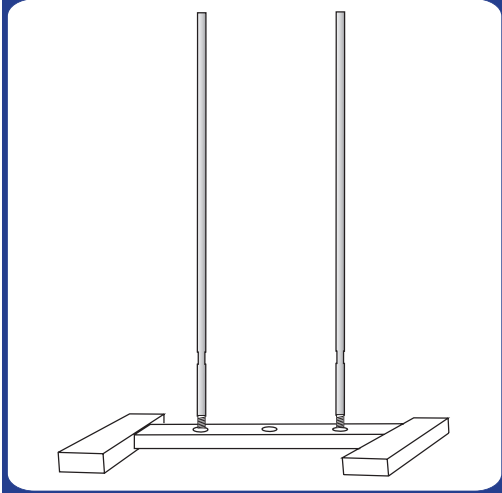


Fig 2

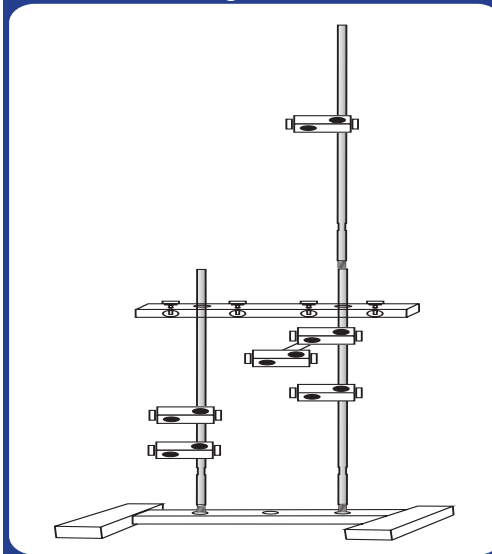


Figure 1
Place base on a sturdy working surface and thread 24" Rods into the base.

Figure 2
Slide 2 Stand Clamps, Large (Grey) onto bar 1 and 1 Stand Clamps, Medium (Red) onto bar 2. Now slide the cannula assembly onto rod 2. Then slide the stabilizer bar on the rods. Now screw a 24" rod into the top of rod 2 and place a stand clamp on it.

Fig 3

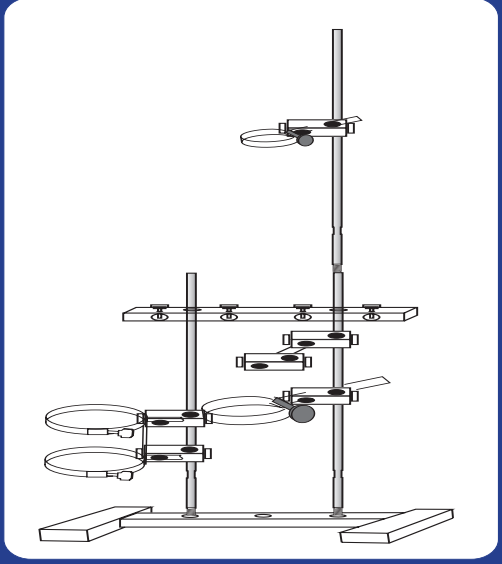


Figure 3
Place the double ring clamp on rod 1 and the ring clamp for the heating coil on the top of rod 2 and the ring clamp for the bath in the lower one.

Fig 4

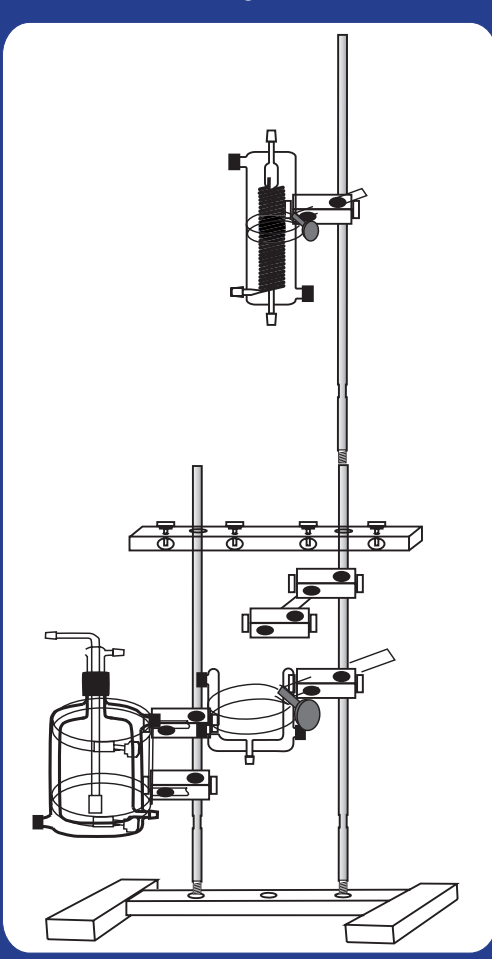
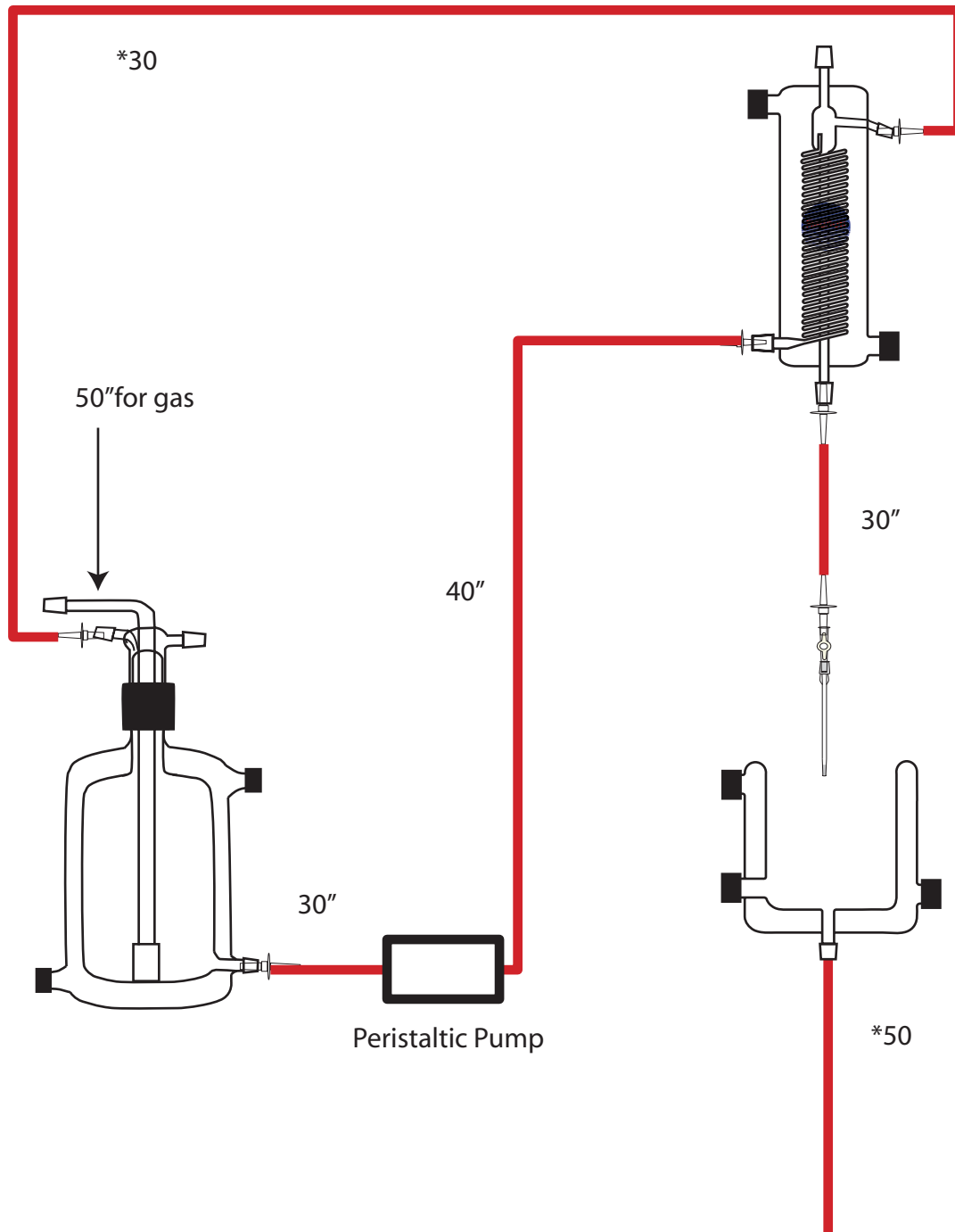


Figure 4
Place the Reservoir into the Double ring clamp on rod 1. Now place the heating coil in the ring clamp on top of rod 2 and the bath in the lower ring clamp. Now place cannula in stand clamp with yellow knobs.

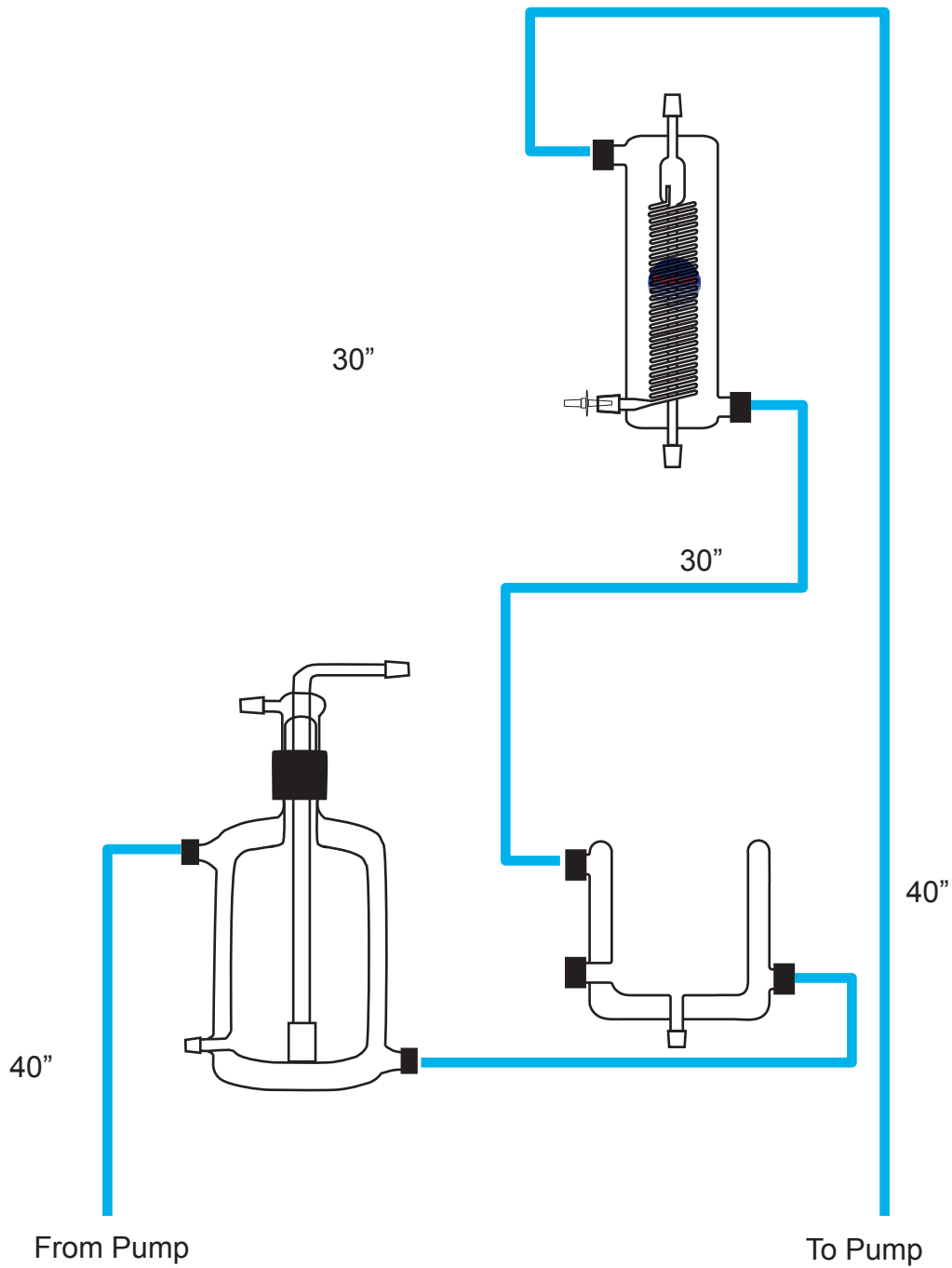
Warning: When placing the glass components on ring clamps, please be careful not to over tighten. Be sure to slowly tighten evenly.

Perfusion Connection

* silicone tubing, to be slipped over female end of 1 way valve



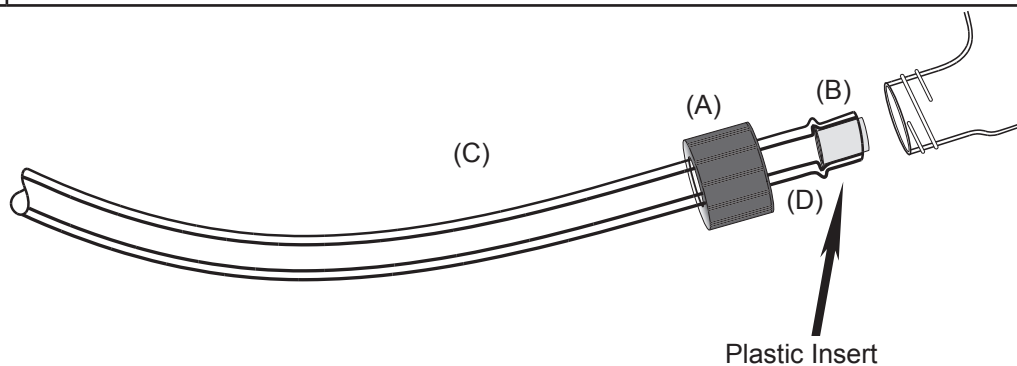
Water-Jacketed Tubing Connection Chart



RADNOTI 'QUICK DISCONNECT' INSTRUCTIONS

For Reference only

A	Slide Cap-With hole onto the water line. (Tygon tubing #120159)
B	Push the plastic sleeve insert into the end of the Tygon tubing with the flared end first. (Catalog #120160)
C	Be sure to use 5/16 x 3/16 inch Tygon tubing. (Catalog #120159)
D	<u>MOISTEN TIP OF TYGON TUBING</u> before insertion into the threaded glass.
	CAUTION: To avoid breakage, do not over tighten the screw cap.



Replacement Part List:

Catalog No.	Description
120160	Plastic sleeve insert, 25/Pkg
120159	Tygon tubing 5/16 x 3/16 ID, 50 ft/min
160196	Drilled cap for W/J.Q.D.