

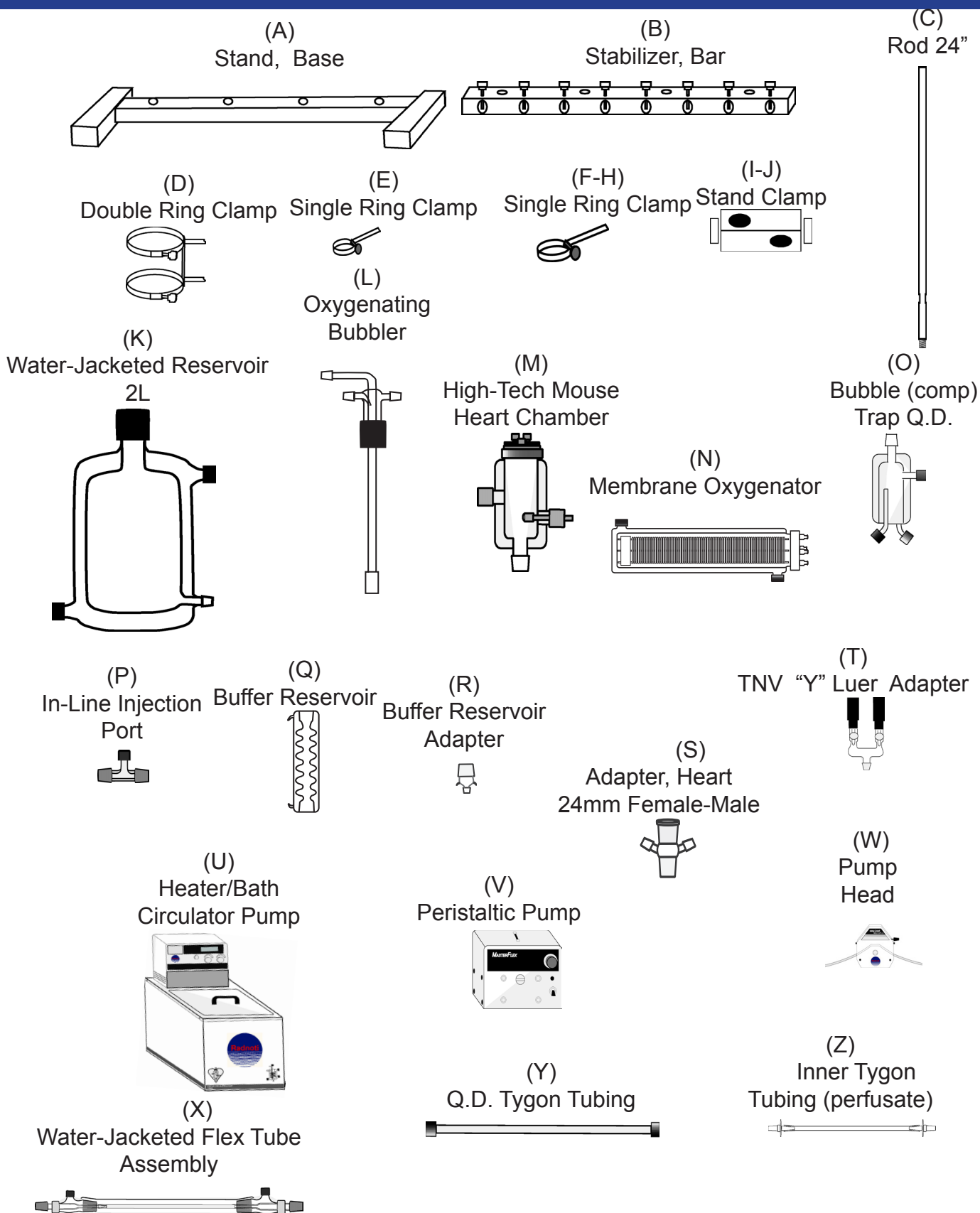


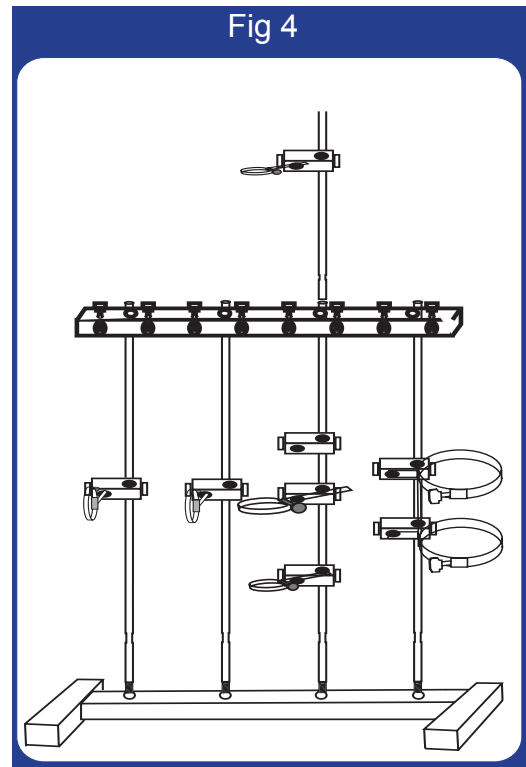
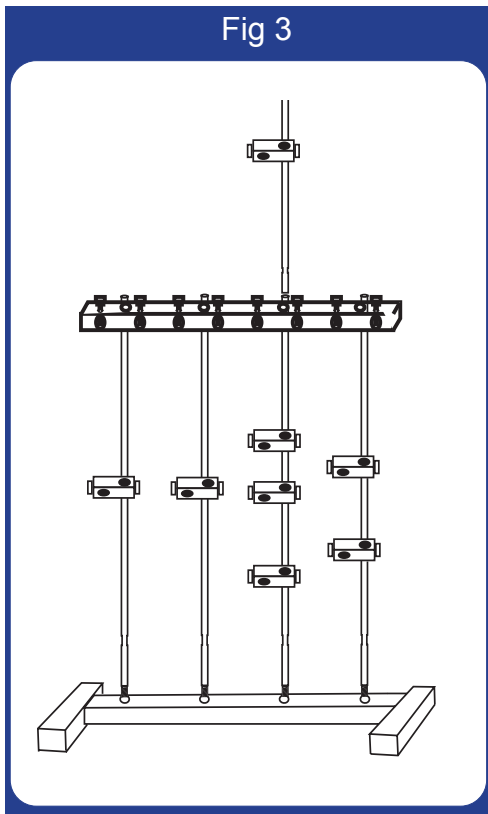
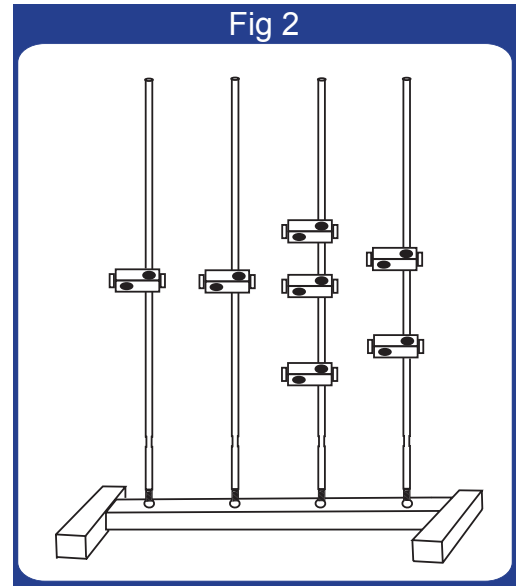
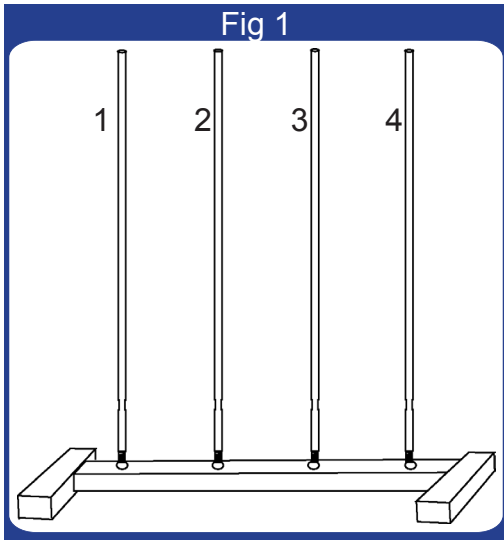
Radnoti Langendorff Constant Pressure Recirculating Isolated

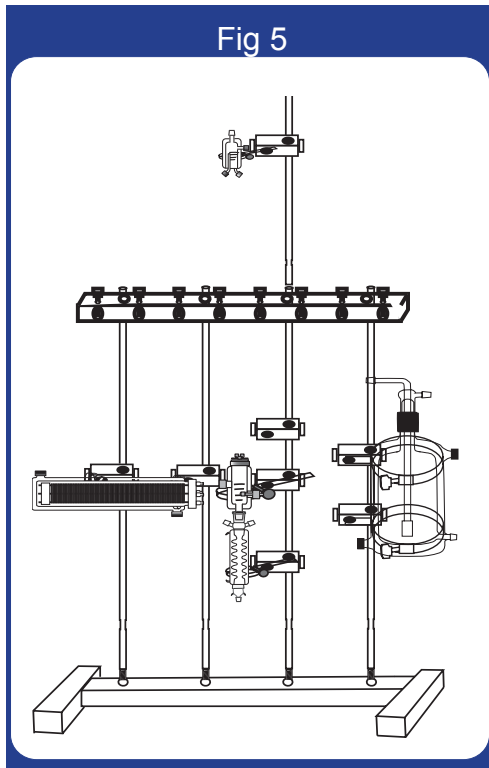
Mouse Heart

130102EZ

	Description	Qty	Part #
A	Base only, for 4-bar stand	1	159950-B4
B	Stabilizer Bar only, for 4-Bar stand	1	159950-C4
C	Rod 24" Long Stainless Steel	5	159950-24
D	Double Ring Clamp for Reservoir	1	120141-2
E	Single Ring Clamp (Bubble Trap)	1	120149RC
F	Single Ring Clamp (Heart Chamber)	1	159953-50
G	Single Ring Clamp (Buffer Reservoir)	1	159953-BR
H	Single Ring Clamp (Membrane Oxygenator)	2	159953-MEM
I	Stand Clamp Medium (Red)	6	159952-11
J	Stand Clamp Large (Grey)	2	159952-10
K	Water-Jacketed Reservoir 2 Liter	1	120142-2
L	Oxygenating Bubbler for 2 Liter Reservoir W/ Inlet	1	140143-2
M	Mouse Heart Chamber	1	130160
N	Membrane Oxygenator	1	130144
O	Bubble Trap Q.D. Ports	1	130149
P	In-Line Injection Port	1	120151
Q	Mouse Buffer Reservoir	1	130146
R	Buffer Reservoir Adapter	1	140131
S	Adapter-Heart-24mm Female to Male	1	120147
T	T.N.V. "Y" Adapter	1	120168
U	Heater/Bath Circulator Pump	1	170051A
V	Peristaltic Pump (0 - 100 RPM)	1	170100-50
W	Easy-Load Pump Head (6 Roller Head)	1	170111
X	Water-Jacketed Flex Tube Assembly		
	36"	1	130155-36
	48"	1	130155-48
Y	Q.D. Tygon Tubing (Water Jacketed)		
	10"	1	120159-10
	15"	1	120159-15
	20"	3	120159-20
	50"	2	120159-50
	70"	1	120159-70
Z	Inner Tubing (Perfusate)		
	20"	2	120157-20
	36"	2	120157-36
	50"	2	120157-50
	Gas Tubing		
	20"	2	120157-20
	50"	1	120157-50
AA	Silicone Tubing		
	48"	2	130144-188-48
BB	Tubing Adapter Kit	1	120140-B
CC	Radnoti Filling Funnel	1	120140-A







Warning: *When placing the glass components in ring clamps, please be careful not to over tighten clamps.*

Figure 1

Place base on a sturdy working surface and thread 24" Rods (C) into the base.

Figure 2

Slide 2 Stand Clamps, Large (Grey) onto bar 4 and 3 Stand Clamps, Medium (Red) onto bar 3 then one each on bars 1 and 2.

Figure 3

Slide the Stabilizer Bar (B) over all 4 bars and screw the 24" Rod (C) into the top of bar 3. Now slide a Stand Clamp, Medium (Red) onto bar 3

Figure 4

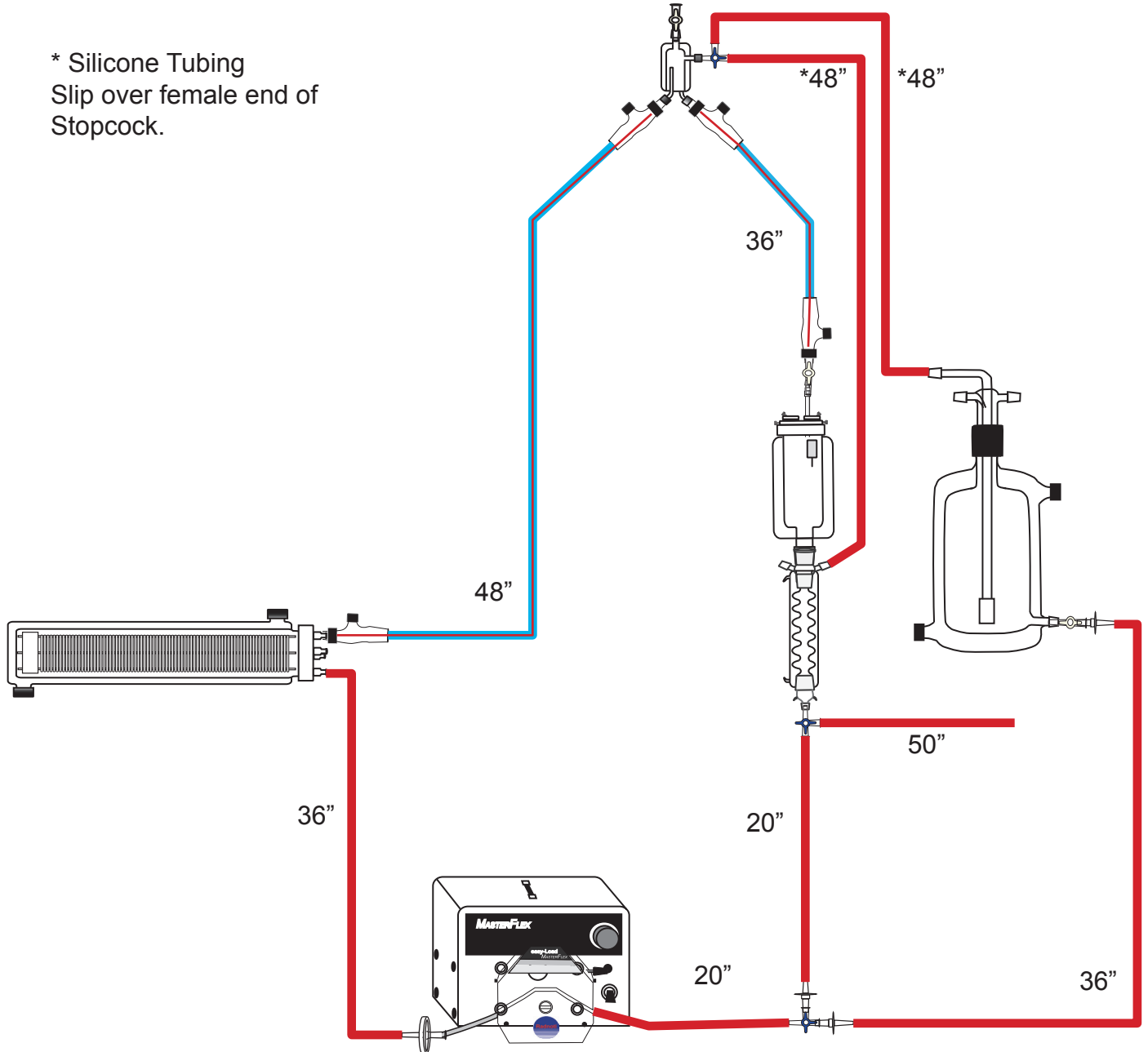
Place the Double Ring Clamp (D) into the stand clamps on bar 4. Now place a single ring clamp (E) into the stand clamp on top of bar 3. Place a ring clamp (F) into the middle stand clamp on bar 3 and ring clamp (G) in the lower one. Place the ring clamps(H) into the stand clamps on bars 1 and 2.

Figure 5

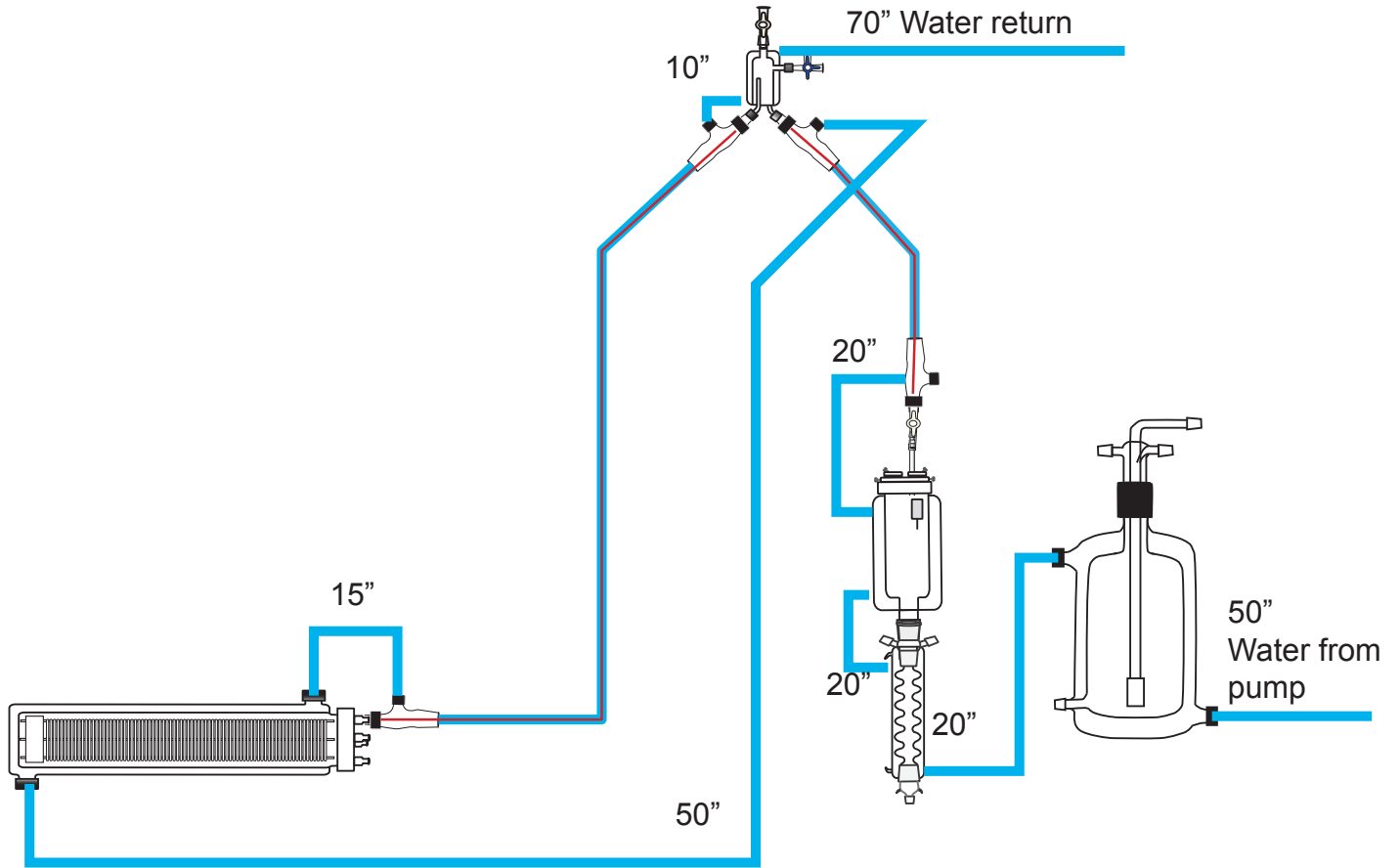
Place the 2L reservoir (K) into the double ring clamp on bar 4. Place the Bubble Trap (O) into the ring clamp on top of bar 3. Place the Heart Chamber (M) into the ring clamp on bar 3 the lid should go into the stand clamp above the Heart Chamber and the buffer reservoir (R) into the lower ring clamp. Place the Membrane Oxygenator (N) into the clamps on bars 1 and 2.

Perfusion Connection

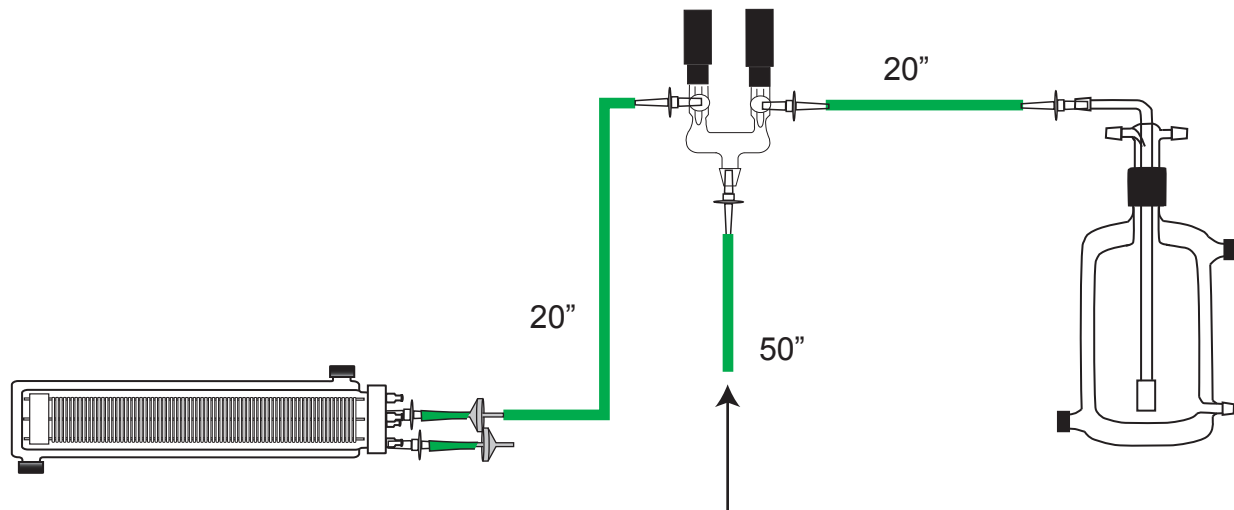
* Silicone Tubing
Slip over female end of
Stopcock.



Water Jacket Connection Chart



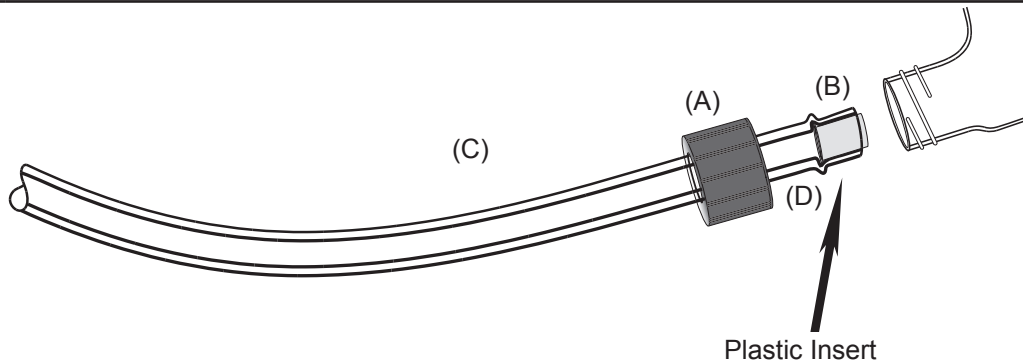
Gas Connection Chart



RADNOTI 'QUICK DISCONNECT' INSTRUCTIONS

For Reference only

A	Slide Cap-With hole onto the water line. (Tygon tubing #120159)
B	Push the plastic sleeve insert into the end of the Tygon tubing with the flared end first. (Catalog #120160)
C	Be sure to use 5/16 x 3/16 inch Tygon tubing. (Catalog #120159)
D	<u>MOISTEN TIP OF TYGON TUBING</u> before insertion into the threaded glass.
	CAUTION: To avoid breakage, do not over tighten the screw cap.



Replacement Part List:

Catalog No.	Description
120160	Plastic sleeve insert, 25/Pkg
120159	Tygon tubing 5/16 x 3/16 ID, 50 ft/min
160196	Drilled cap for W/J.Q.D.