



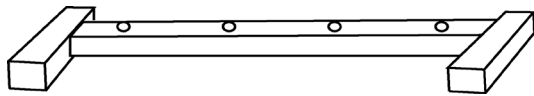
**Radnoti Langendorff Constant Flow Recirculating Isolated**

**Mouse Heart**

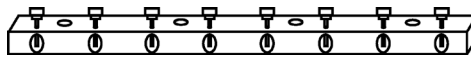
**130106EZ**

Description	Qty	Part #
Base only, for 4-bar stand	1	159950-B4
Stabilizer Bar only, for 4-Bar stand	1	159950-C4
Rod 24" Long Stainless Steel	4	159950-24
Rod 12" Long Stainless Steel	1	159950-12
Double Ring Clamp for Reservoir	2	120141-2
Single Ring Clamp (Bubble Trap)	1	120149-RC
Single Ring Clamp (Heart Chamber)	1	159953-50
Single Ring Clamp (Buffer Reservoir)	1	159953-10
Single Ring Clamp (Membrane Oxygenator)	2	130144-RC
Stand Clamp Medium (Red)	8	159952
Water-Jacketed Reservoir 2 Liter	1	120142-2
Oxygenating Bubbler for 2 Liter Reservoir	1	120143-2
Mouse Heart Chamber	1	130160
Membrane Oxygenator	1	130144
Bubble Trap Q.D. Ports	1	130149
In-Line Injection Port	1	120151
Mouse Buffer Reservoir	1	130146
Buffer Reservoir Adapter	1	140131
Adapter-Heart-24mm Female to Male	1	120147
T.N.V. "Y" Adapter	1	120168
Heater/Bath Circulator Pump	1	170051
Peristaltic Pump (0 - 100 RPM)	1	170100-50
Easy-Load Pump Head (6 Roller Head)	1	170111
Water-Jacketed Flex Tube Assembly		
24"	2	120155-24
Q.D. Tygon Tubing (Water Jacketed)		
10"	2	120159-10
20"	3	120159-20
25"	1	120159-25
40"	1	120159-40
60:	1	120159-60
Inner Tubing (Perfusate,gas)		
20"	2	120157-20
30"	3	120157-30
40"	1	120157-40
50"	1	120157-50

Stand, Base



Stabilizer, Bar



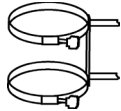
Rod 24"



Rod 12"



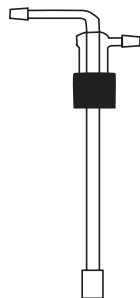
Double Ring Clamp



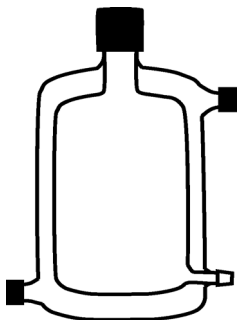
Stand Clamp



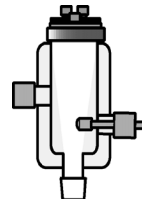
Oxygenating  
Bubbler



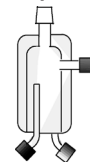
Water-Jacketed Reservoir  
2L



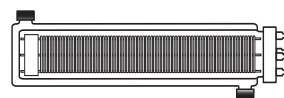
High-Tech Mouse  
Heart Chamber



Bubble (comp)  
Trap Q.D.



Membrane Oxygenator



In-Line Injection  
Port



Buffer Reservoir



Buffer Reservoir  
Adapter



TNV "Y" Luer Adapter



Adapter, Heart  
24mm Female-Male



Heater/Bath  
Circulator Pump



Peristaltic Pump



Pump  
Head



Water-Jacketed Flex Tube  
Assembly

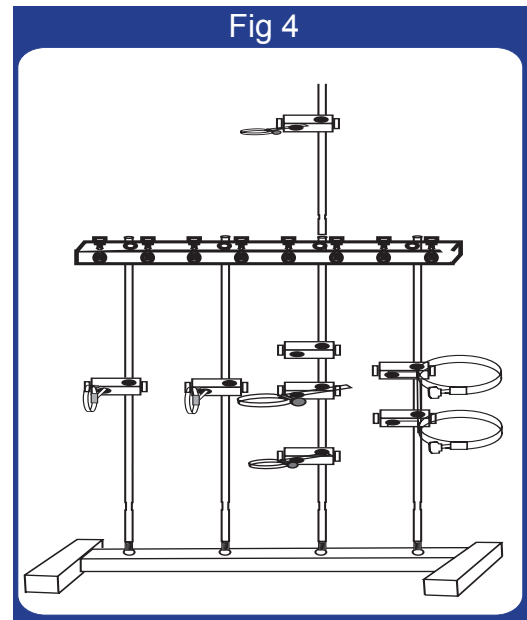
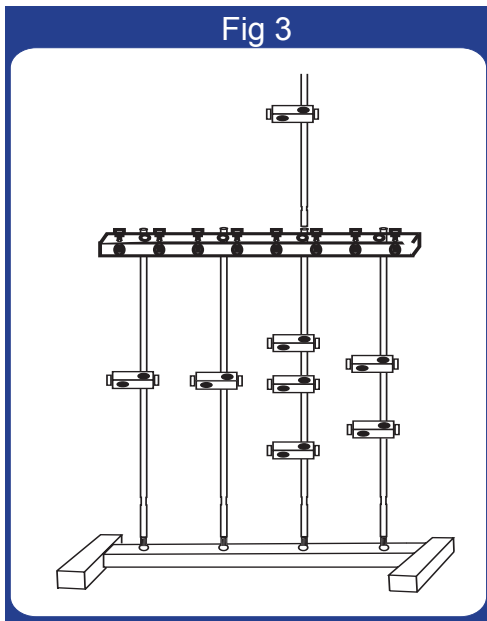
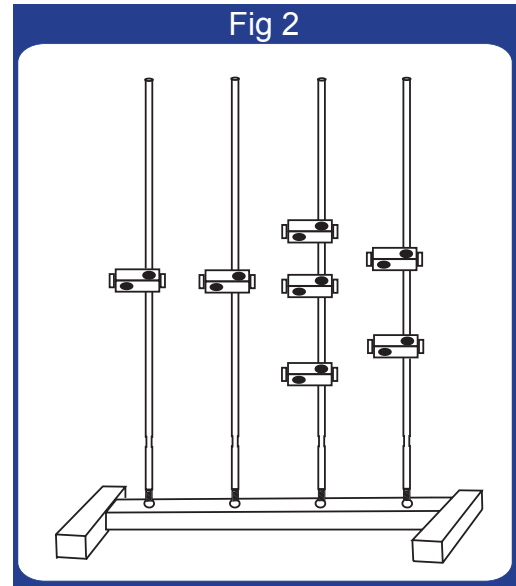
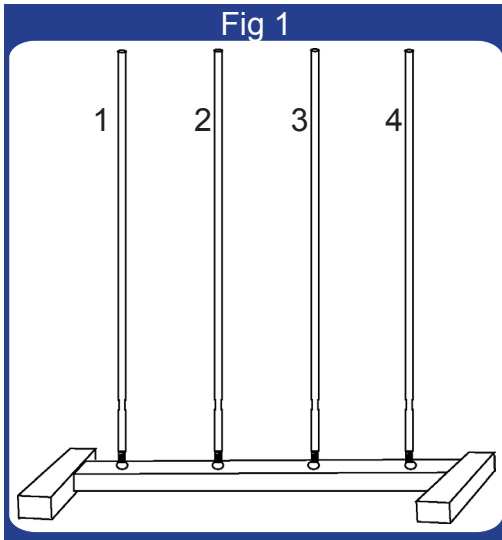


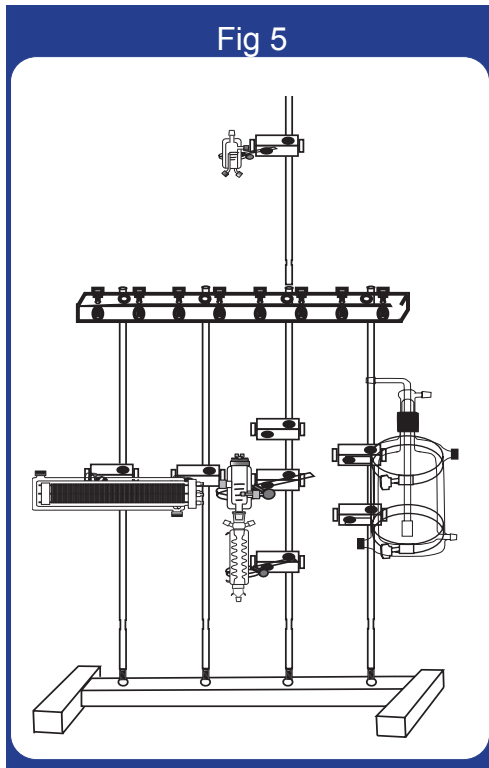
Q.D. Tygon Tubing



Inner Tygon  
Tubing (perfusate)







**Warning:** *When placing the glass components in ring clamps, please be careful not to over tighten clamps.*

**Figure 1**  
Place base on a sturdy working surface and thread 24" Rods (C) into the base.

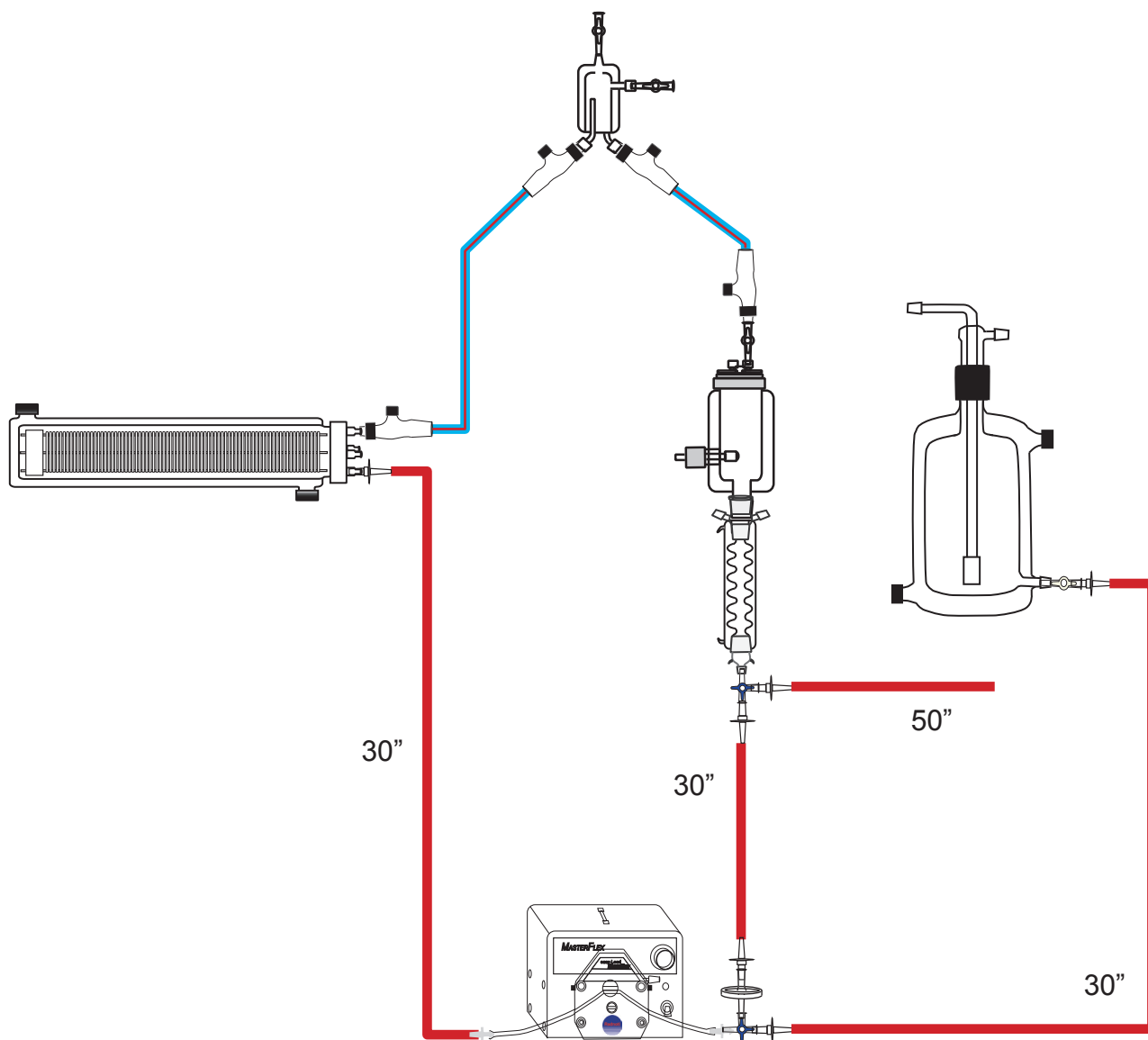
**Figure 2**  
Slide 2 Stand Clamps, Large (Grey) onto bar 4 and 3 Stand Clamps, Medium (Red) onto bar 3 then one each on bars 1 and 2.

**Figure 3**  
Slide the Stabilizer Bar (B) over all 4 bars and screw the 12" Rod (D) into the top of bar 3. Now slide a Stand Clamp, Medium (Red) onto bar 3

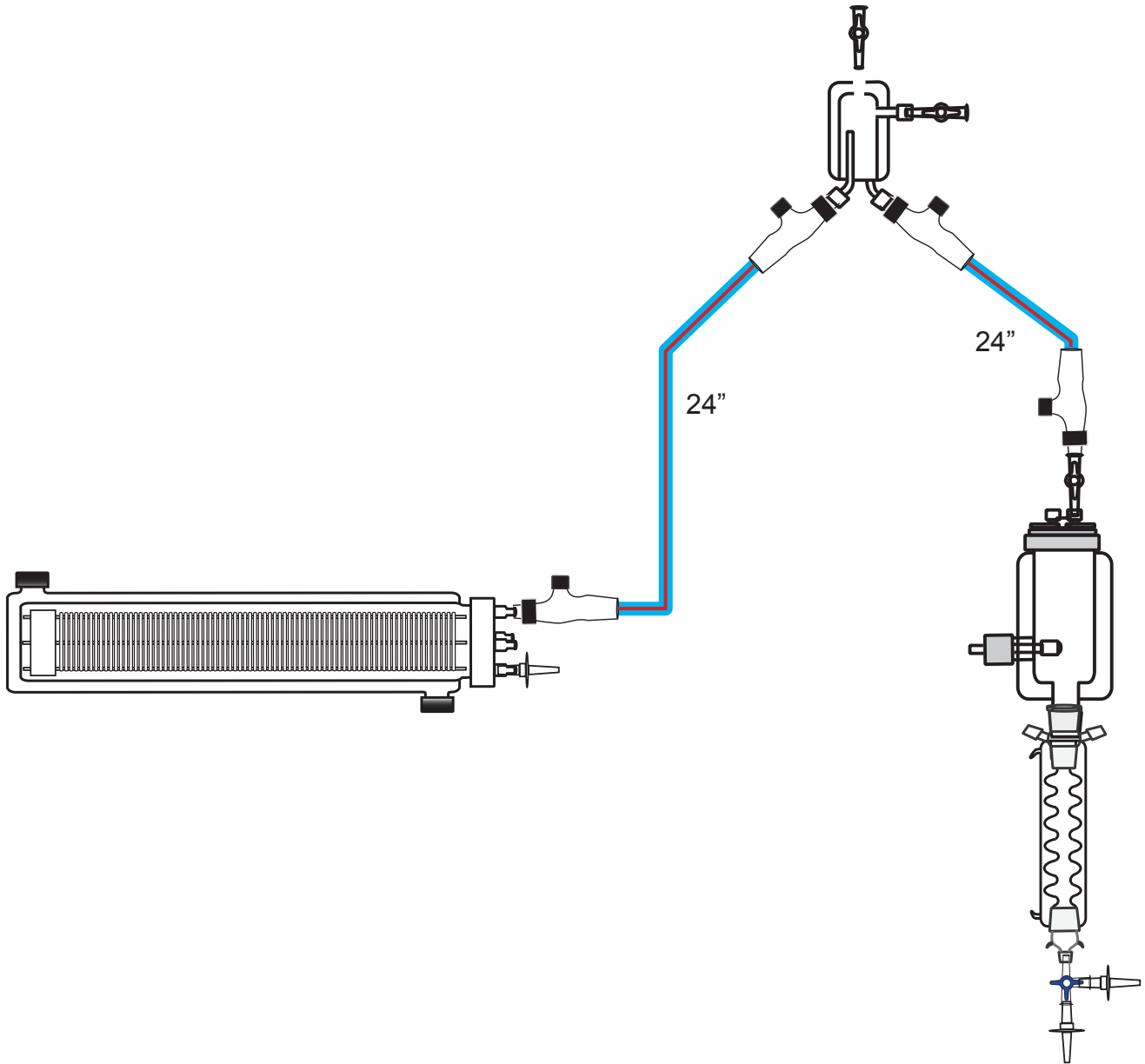
**Figure 4**  
Place the Double Ring Clamp (E) into the stand clamps on bar 4. Now place a single ring clamp (F) into the stand clamp on top of bar 3. Place a ring clamp (G) into the middle stand clamp on bar 3 and ring clamp H in the lower one. Place the ring clamps(I) into the stand clamps on bars 1 and 2.

**Figure 5**  
Place the 2L reservoir (L) into the double ring clamp on bar 4. Place the Bubble Trap (P) into the ring clamp on top of bar 3. Place the Heart Chamber (N) into the ring clamp on bar 3 the lid should go into the stand clamp above the Heart Chamber and the buffer reservoir (S) into the lower ring clamp. Place the Membrane Oxygenator (O) into the clamps on bars 1 and 2.

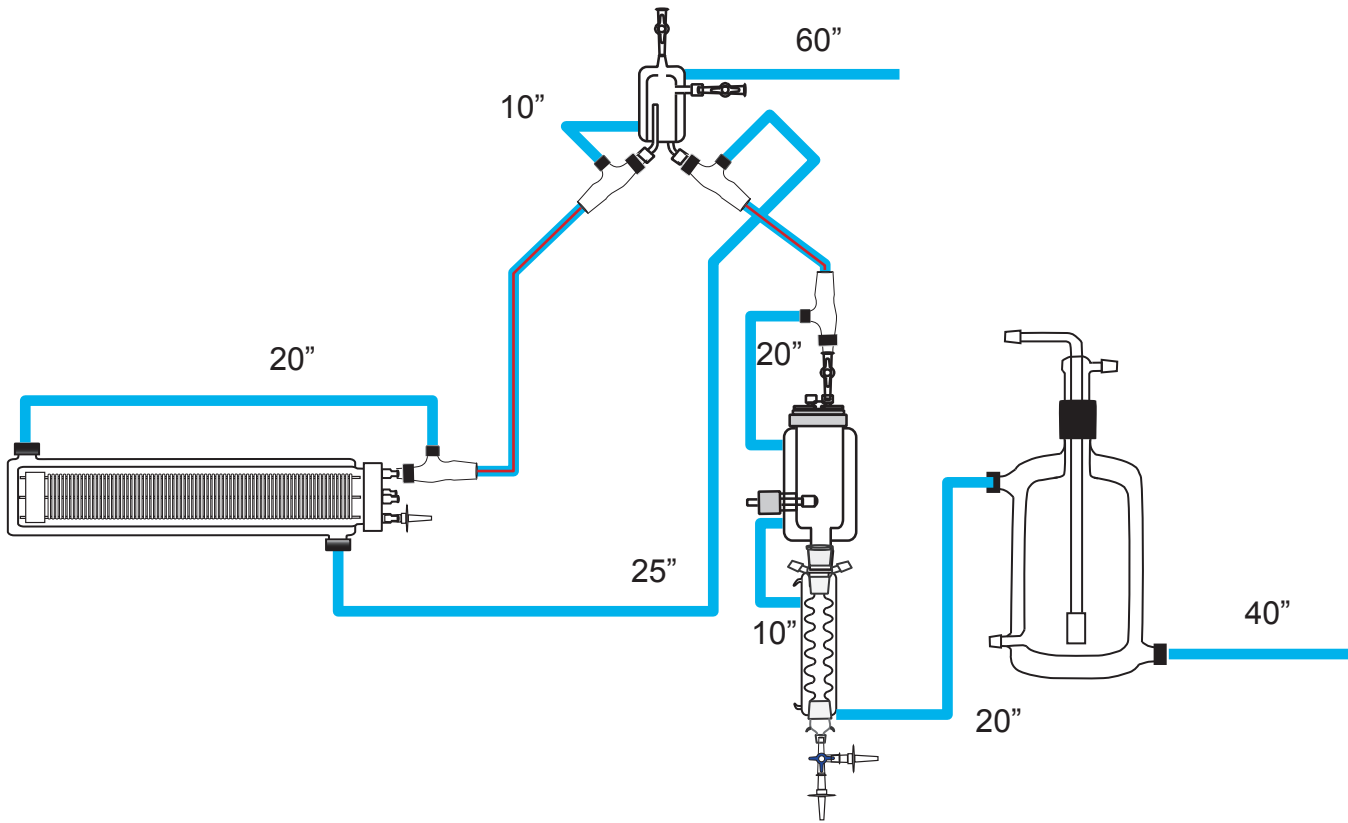
## Perfusion Connection



## Flex Tube Connection Chart

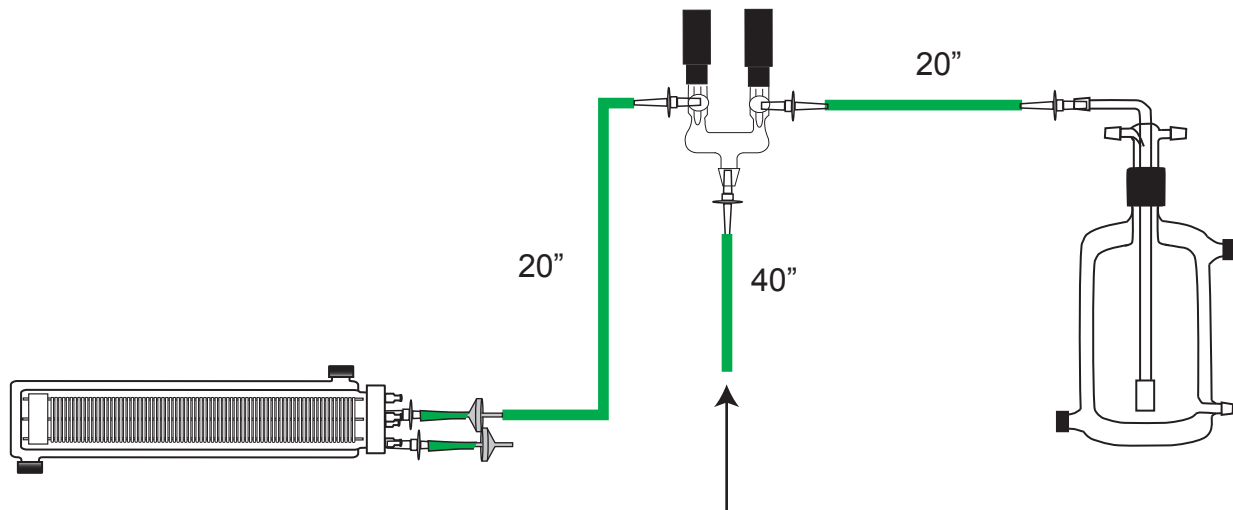


## Water Jacket Connection Chart





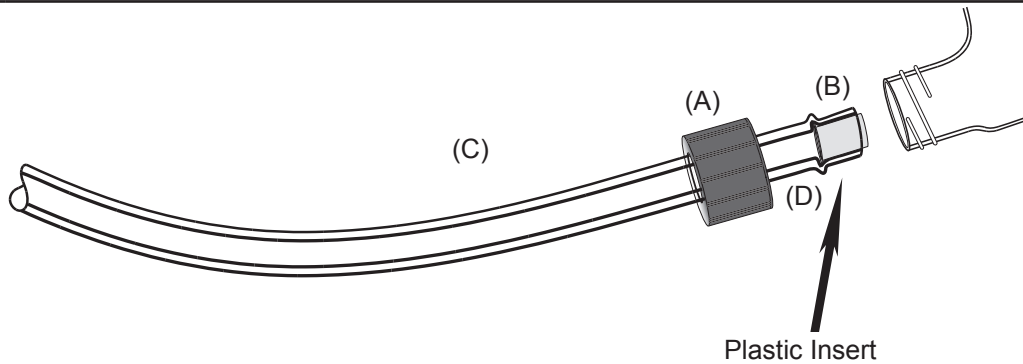
## Gas Connection Chart



## RADNOTI 'QUICK DISCONNECT' INSTRUCTIONS

For Reference only

A	Slide Cap-With hole onto the water line. (Tygon tubing #120159)
B	Push the plastic sleeve insert into the end of the Tygon tubing with the flared end first. (Catalog #120160)
C	Be sure to use 5/16 x 3/16 inch Tygon tubing. (Catalog #120159)
D	<u>MOISTEN TIP OF TYGON TUBING</u> before insertion into the threaded glass.
	<b>CAUTION:</b> To avoid breakage, do not over tighten the screw cap.



### Replacement Part List:

Catalog No.	Description
120160	Plastic sleeve insert, 25/Pkg
120159	Tygon tubing 5/16 x 3/16 ID, 50 ft/min
160196	Drilled cap for W/J.Q.D.