



Radnoti



Radnoti Myocyte Collection Isolated Mouse Heart System

130107

Description	Qty	Part #
Base only, for 4-bar stand	1	159950-B4
Stabilizer Bar only, for 4-Bar stand	1	159950-C4
Rod 24" Long Stainless Steel	5	159950-24
Rod 12" Long Stainless Steel	4	159950-12
Single Ring Clamp (250ml Reservoir)	2	159953-100
Single Ring Clamp (100ml Reservoir)	1	159953-65
Single Ring Clamp (Bubble Trap)	1	120149-RC
Single Ring Clamp (Membrane Oxygen Chamber)	2	159953-MEM
Single Ring Clamp (Mouse Heart Chamber)	1	159953-50
Single Ring Clamp (Buffer Reservoir)	1	159953-10
Universal Stand Clamp	8	159952
Water-Jacketed Reservoir .5L	2	120141-0
Water-Jacketed Reservoir .25L	1	120141-025
Oxygenating Bubbler for .5L Reservoir	2	120143-0
Oxygenating bubbler for .25L Reservoir	1	120143-025
4 Port T.N.V. Luer Manifold	1	160192-4
Bubble Trap (Compliance) Q.D.	1	130149
Membrane Oxygenating Chamber	1	130144
Adapter 24mm Femal to Male	1	120147
High-Tech Mouse Heart Chamber	1	130160
Buffer Reservoir Adapter	1	140131
Buffer Reservoir	1	130146
4-Port Luer Manifold	1	120164
Heater Bath Circulator Pump	1	170051G
Peristaltic Pump (0 - 100 RPM)	1	170100-100
Easy Load Pump Head (6 Roller Head)	2	170111
Filling Funnel	1	120140A
Water-Jacketed Flex Tube Assembly		
48"	1	130155-48
Q.D. Tygon Tubing (Water-Jacketed)		
10"	3	120159-10
25"	3	120159-25
36"	1	120159-45
70"	2	120157-70
Inner Tygon Tubing (Perfusate, gas)		
20"	4	120157-10
24"	5	120157-24
30"	1	120157-30
36"	1	120157-36
48"	2	120157-48
55"	1	120157-55
60"	1	120157-60

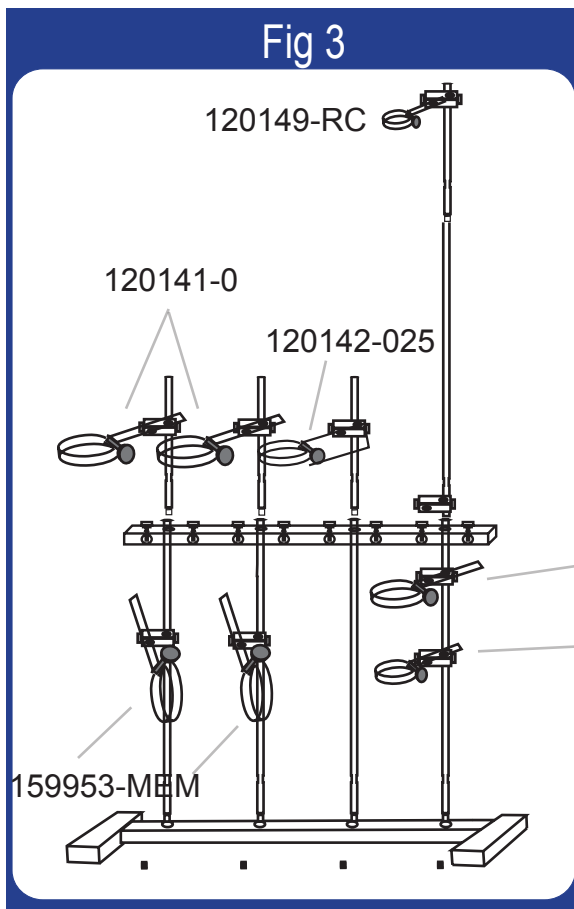
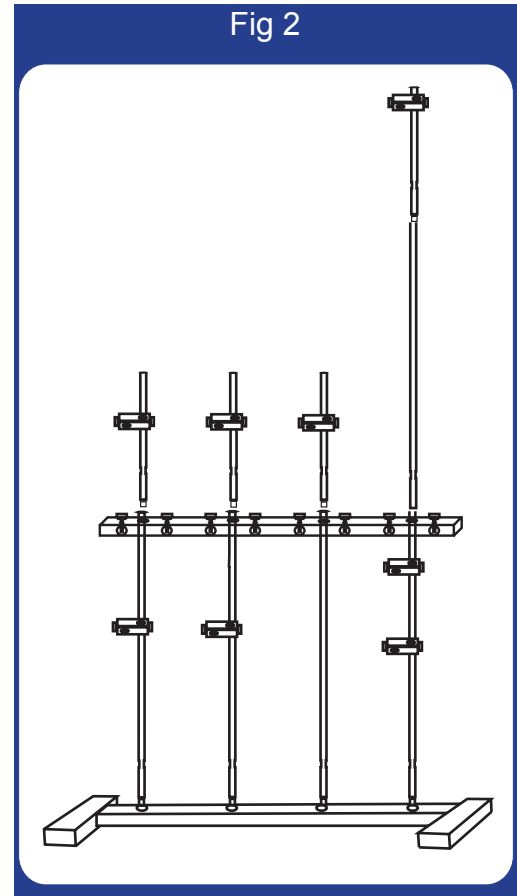
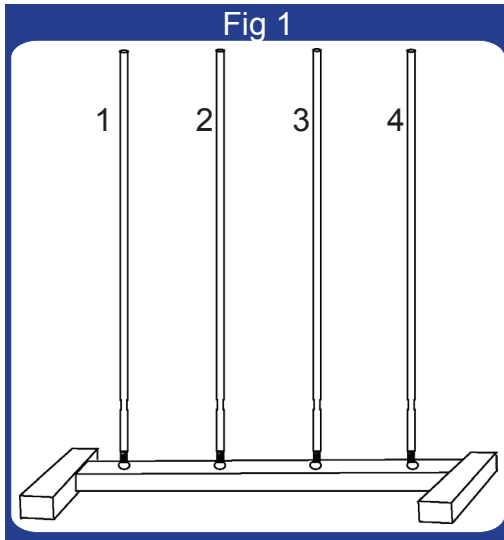


Fig 4

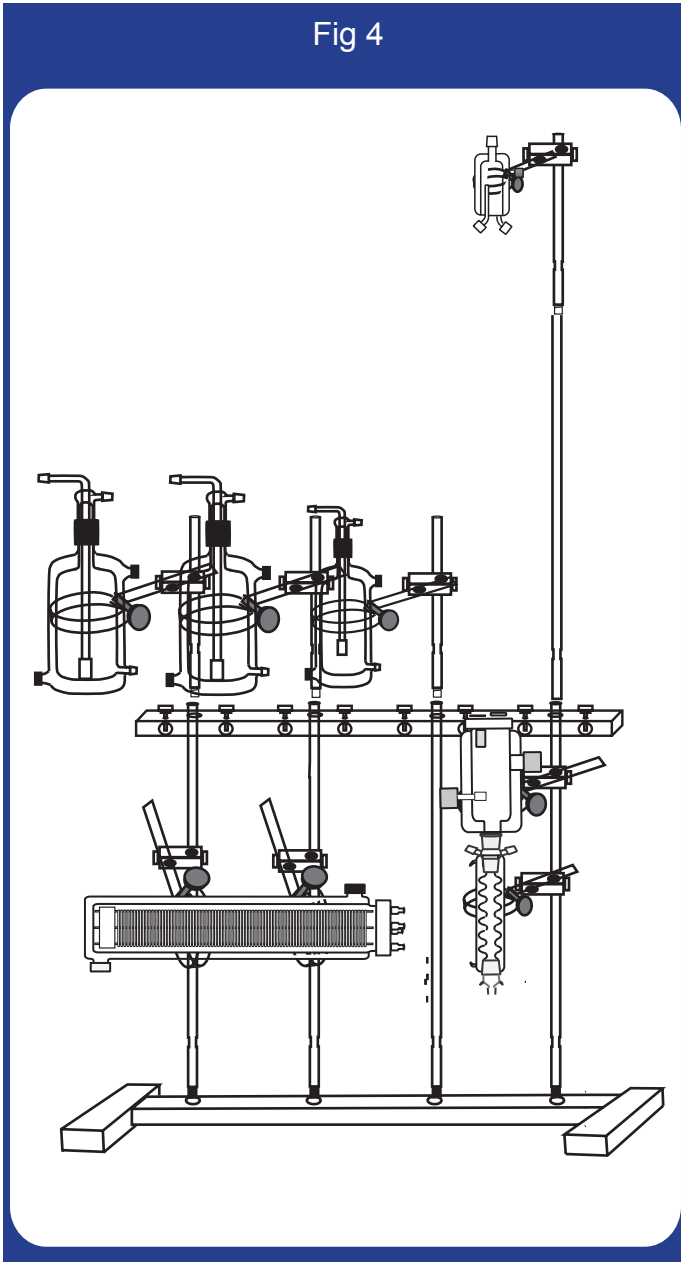


Figure 1

Place Stand Base (A) on a sturdy working surface. Attach the four 24" rods (C) into the threaded holes on the base.

Figure 2

Slide a Stand Clamp about half way down on rods 1, 2, and 4. Then slide another clamp on rod 4. Now place the stabilizer bar on the stand. Next attach a 24" rod on rod 4 and then a 12" rod on top of each rod. Now slide a stand clamp on each rod above the stabilizer bar and then on on top of rod 4.

Figure 3

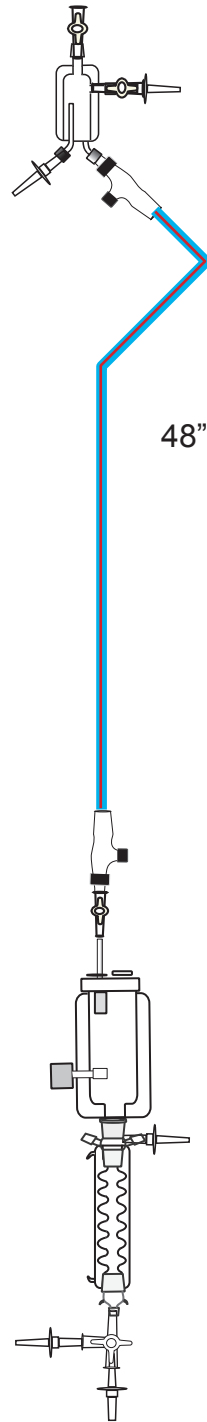
Place the ring clamps in the stand clamps as shown above. Use page 2 as a reference of the ring clamps.

Figure 4

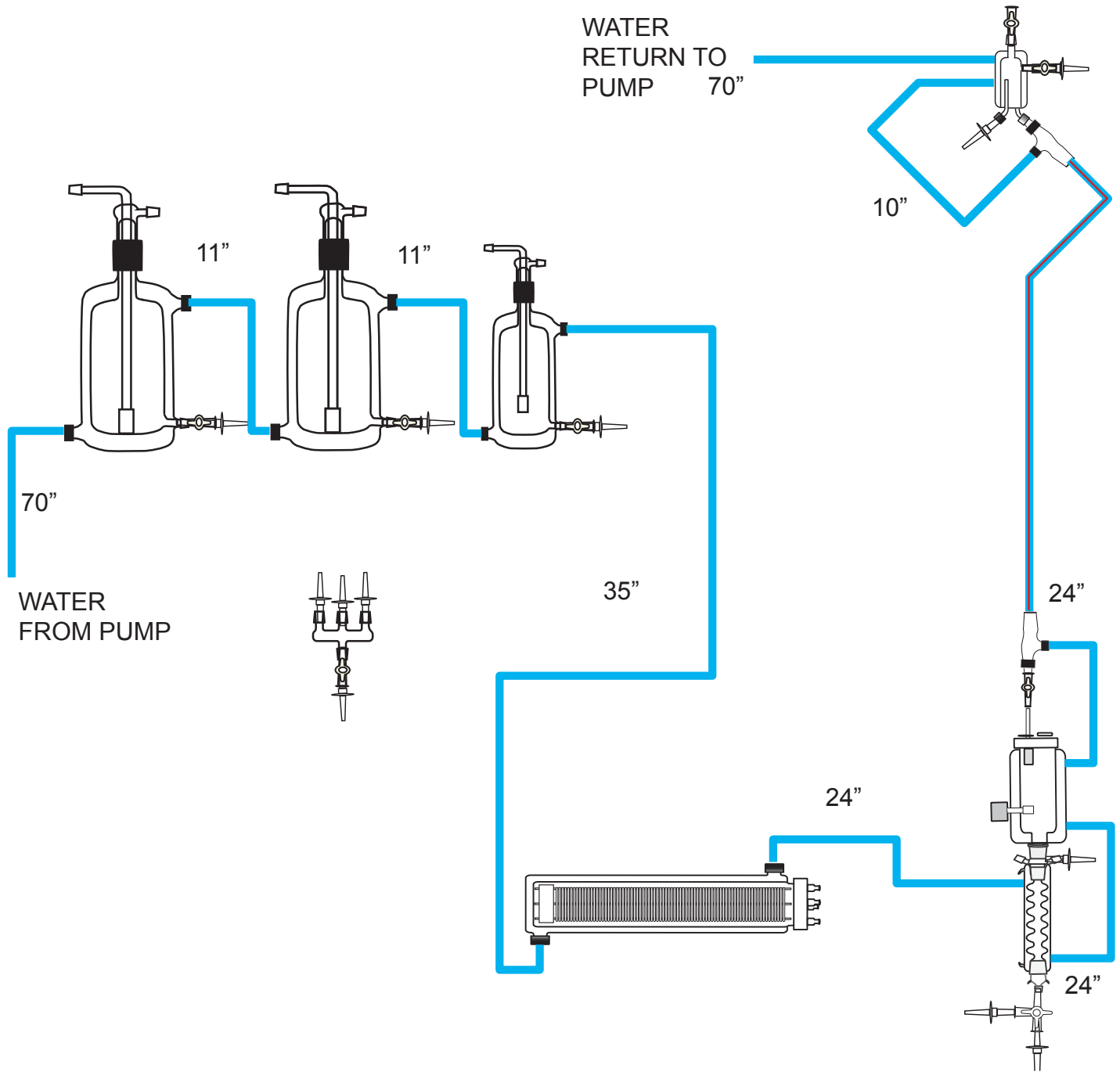
Place Heart Chamber in ring clamp (I), the handle on the lid fits into the stand clamp above the heart chamber. Now place the Membrane oxygenator into ring clamps (H). Place 250ml resevoir in ring clamps (E) and 100 ml resevoir in ring clamp (F). Place bubble trap in ring clamp (G). Place the buffer resevoir in ring clamp (J).

Warning: *When placing the glass components in ring clamps, please be careful not to over tighten clamps.*

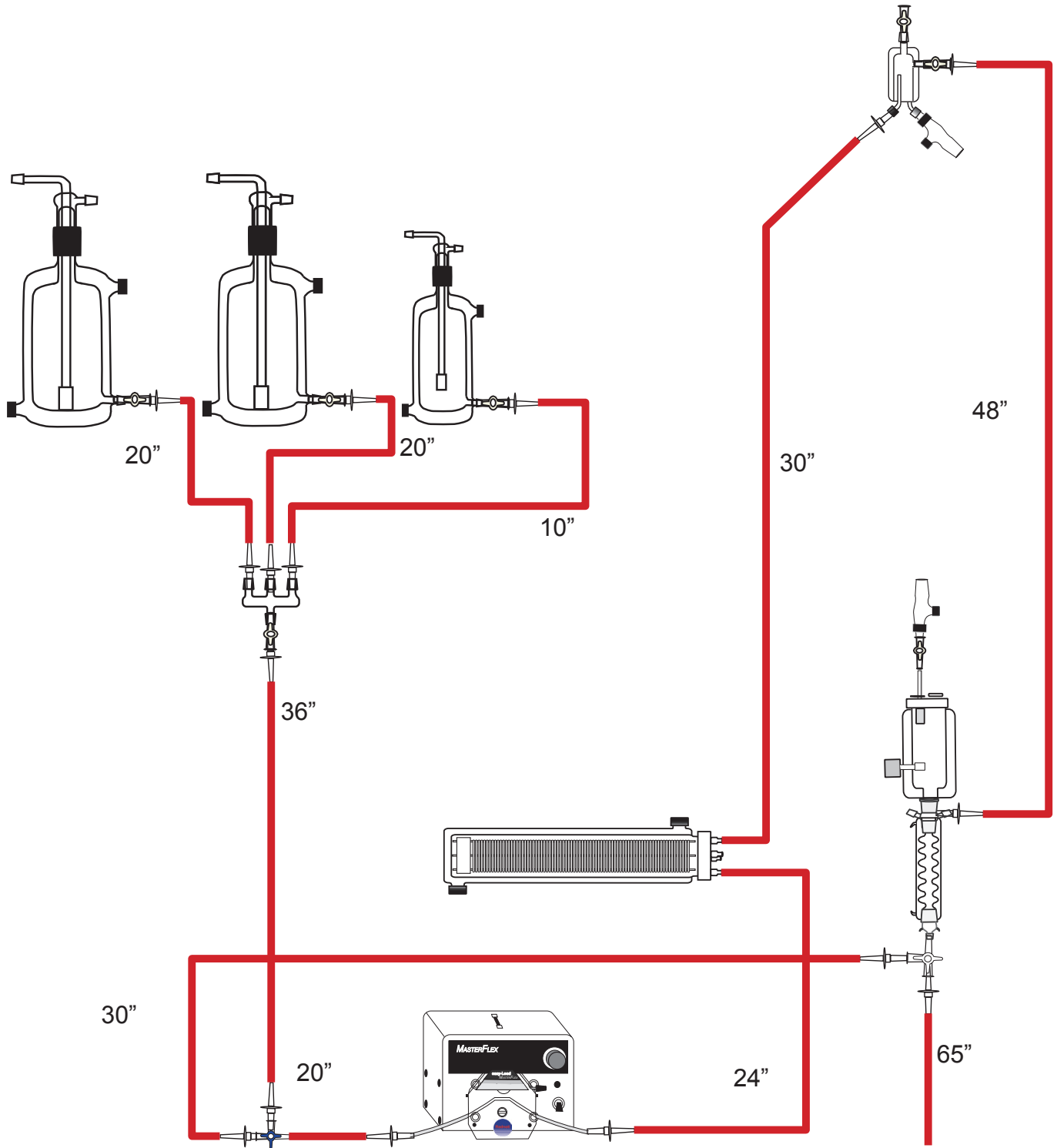
Flex Tube Connection



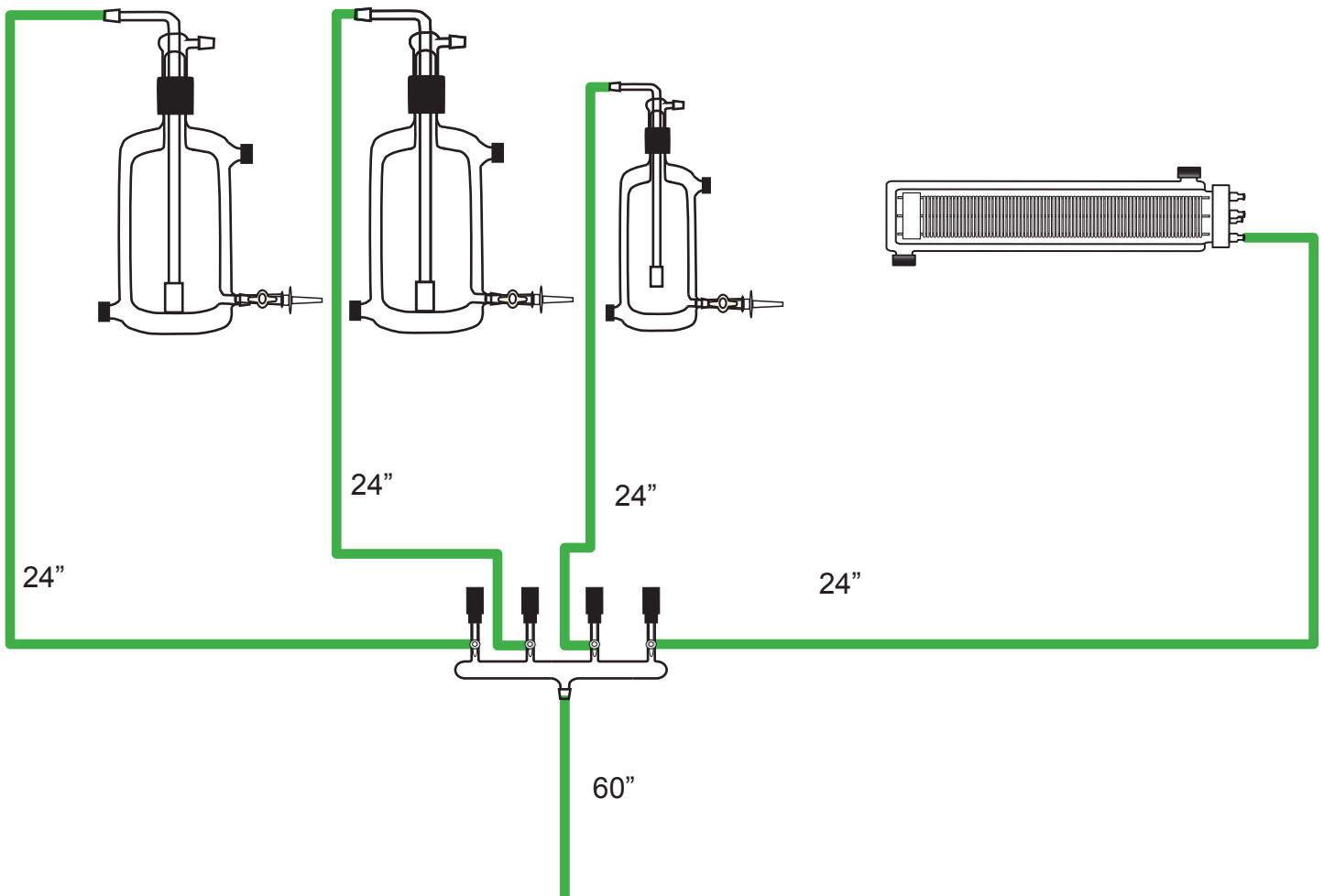
Water-Jacketed Tubing Chart



Perfusate Connection Chart



Gas Connection Chart



RADNOTI 'QUICK DISCONNECT" INSTRUCTIONS

For Reference only

A	Slide Cap-With hole onto the water line. (Tygon tubing #120159)
B	Push the plastic sleeve insert into the end of the Tygon tubing with the flared end first. (Catalog #120160)
C	Be sure to use 5/16 x 3/16 inch Tygon tubing. (Catalog #120159)
D	<u>MOISTEN TIP OF TYGON TUBING</u> before insertion into the threaded glass.
	CAUTION: To avoid breakage, do not over tighten the screw cap.

Replacement Part List:

Catalog No.	Description
120160	Plastic sleeve insert, 25/Pkg
120159	Tygon tubing 5/16 x 3/16 ID, 50 ft/min
160196	Drilled cap for W/J.Q.D.